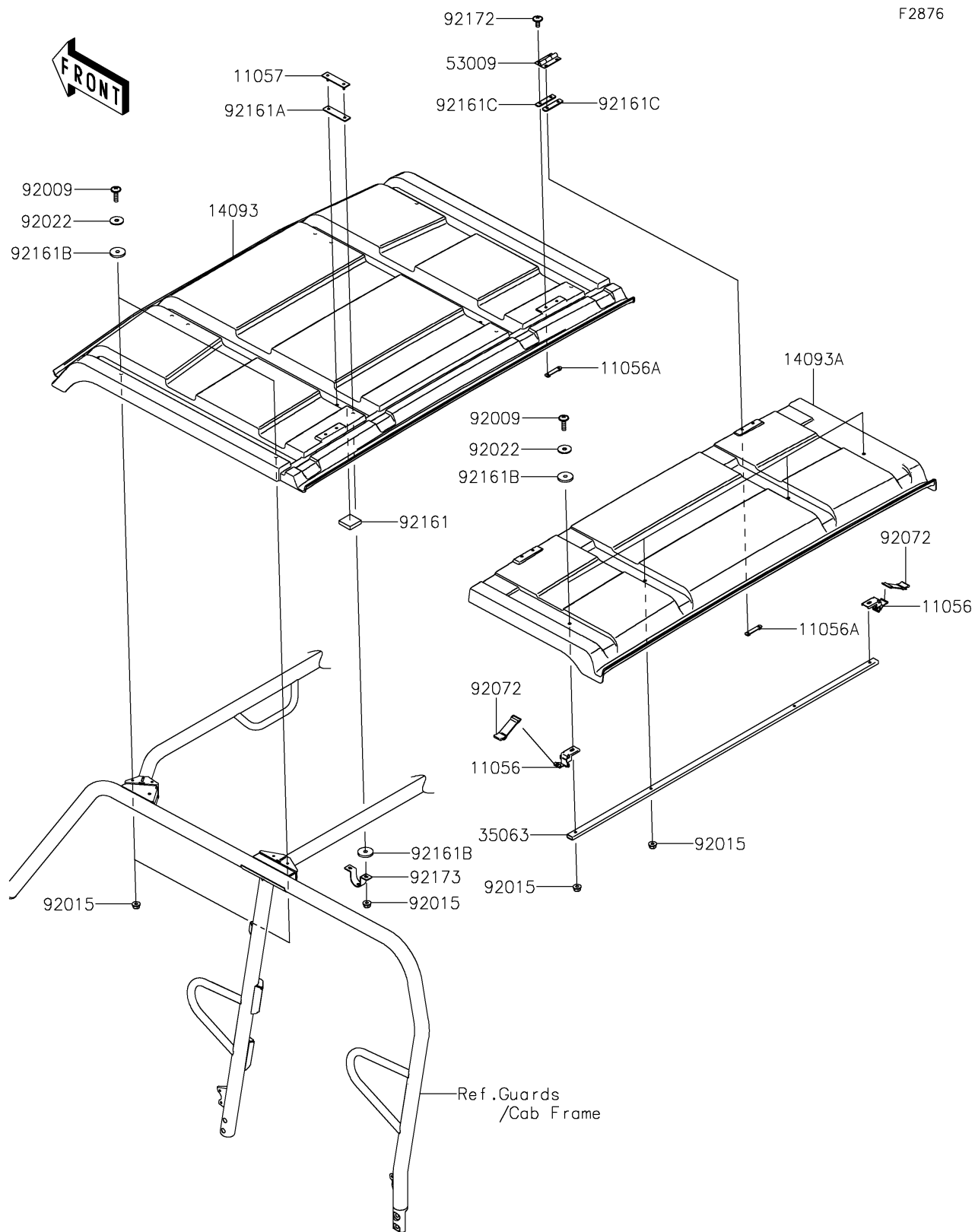


# 2021 MULE PRO-FXT™ RANCH EDITION

## PARTS DIAGRAM

### Sun Top

F2876



# 2021 MULE PRO-FXT™ RANCH EDITION



## PARTS LIST

Sun Top

ITEM NAME	PART NUMBER	QUANTITY
-----------	-------------	----------

---