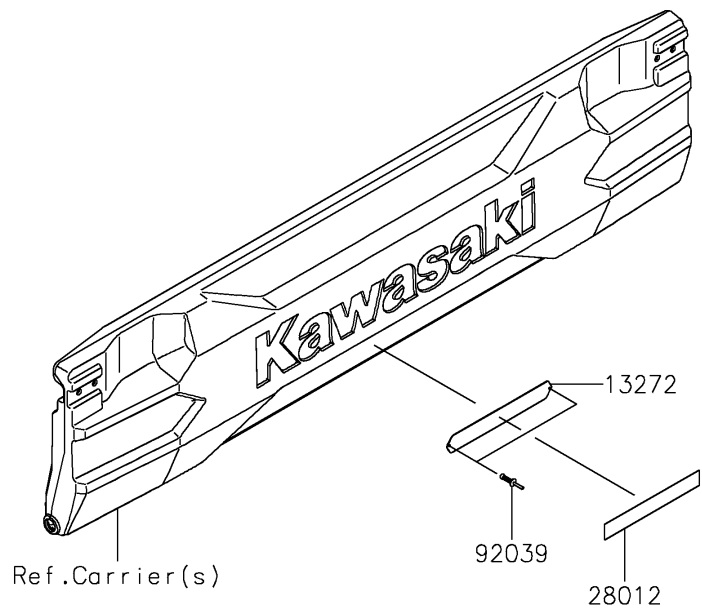
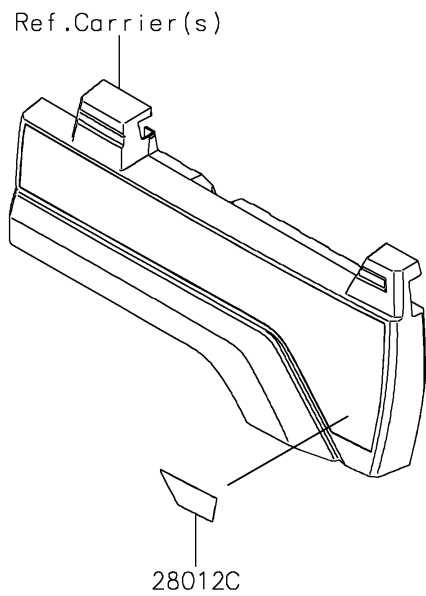
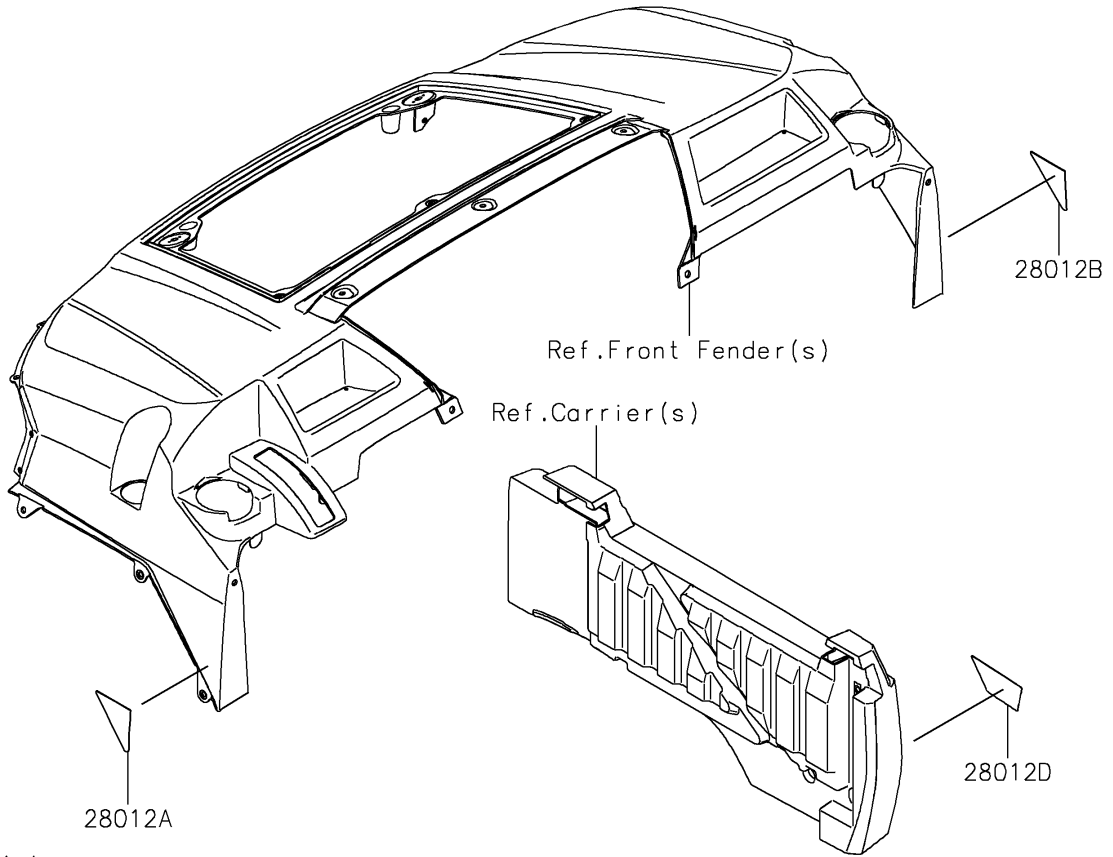


# 2021 MULE PRO-FXT™ RANCH EDITION

## PARTS DIAGRAM

### Reflectors(CN)

F2790



# 2021 MULE PRO-FXT™ RANCH EDITION



## PARTS LIST Reflectors(CN)

ITEM NAME	PART NUMBER	QUANTITY
-----------	-------------	----------

---