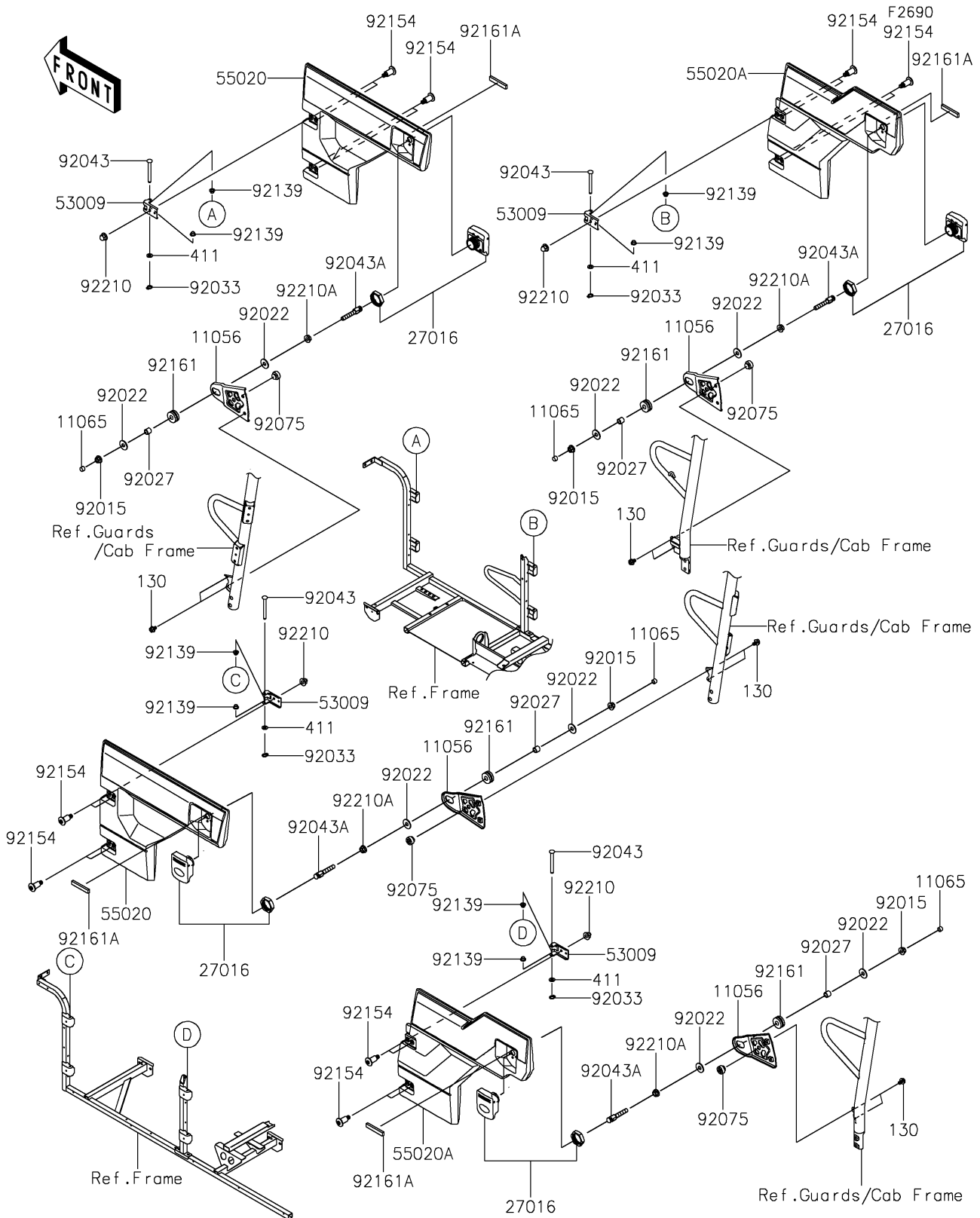


2021 MULE PRO-FXT™ RANCH EDITION

PARTS DIAGRAM

Door



2021 MULE PRO-FXT™ RANCH EDITION



PARTS LIST

Door

ITEM NAME	PART NUMBER	QUANTITY
-----------	-------------	----------
