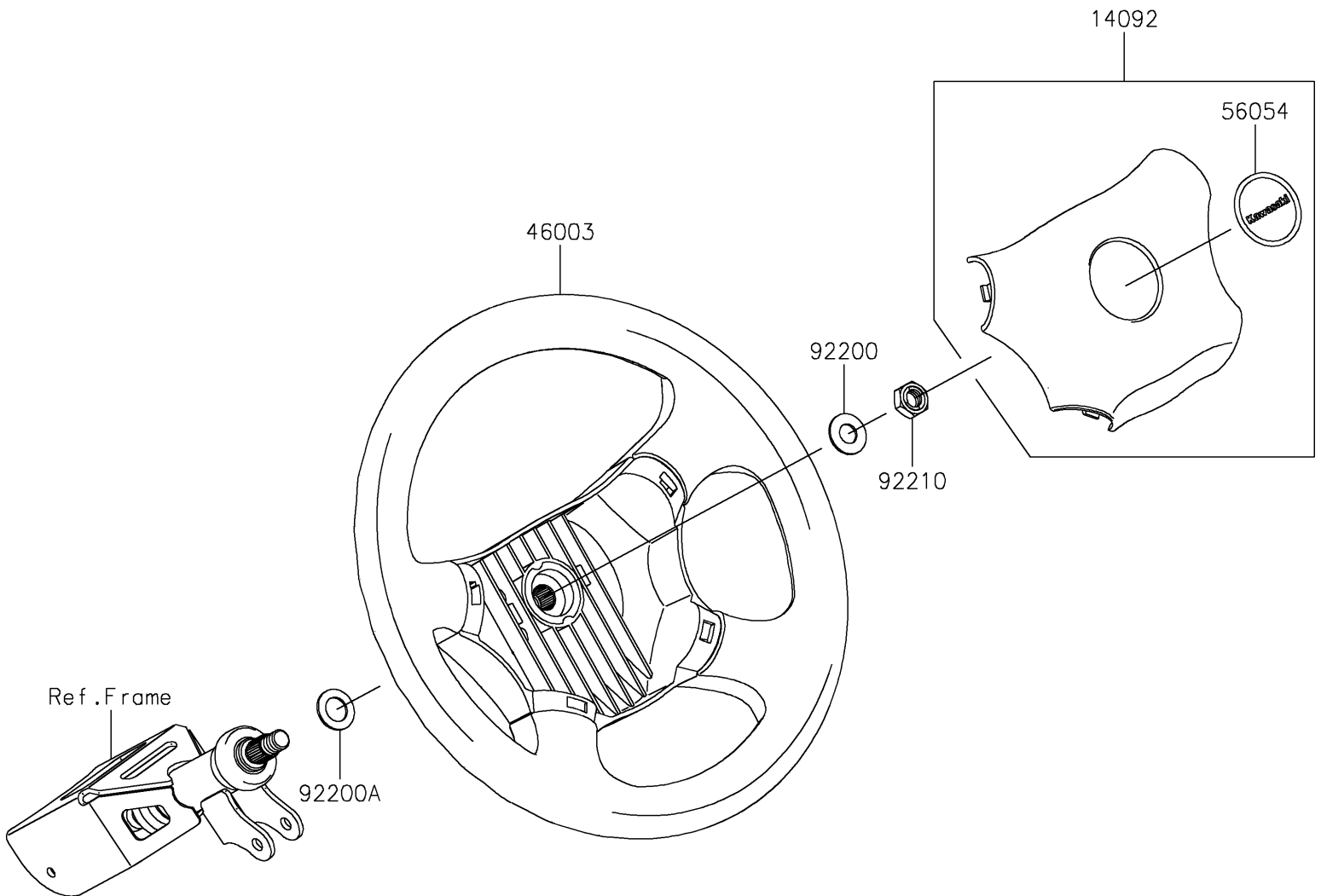


# 2021 MULE PRO-FXT™ RANCH EDITION

## PARTS DIAGRAM

### Steering Wheel

F2311



# 2021 MULE PRO-FXT™ RANCH EDITION



## PARTS LIST

### Steering Wheel

ITEM NAME	PART NUMBER	QUANTITY
-----------	-------------	----------

---