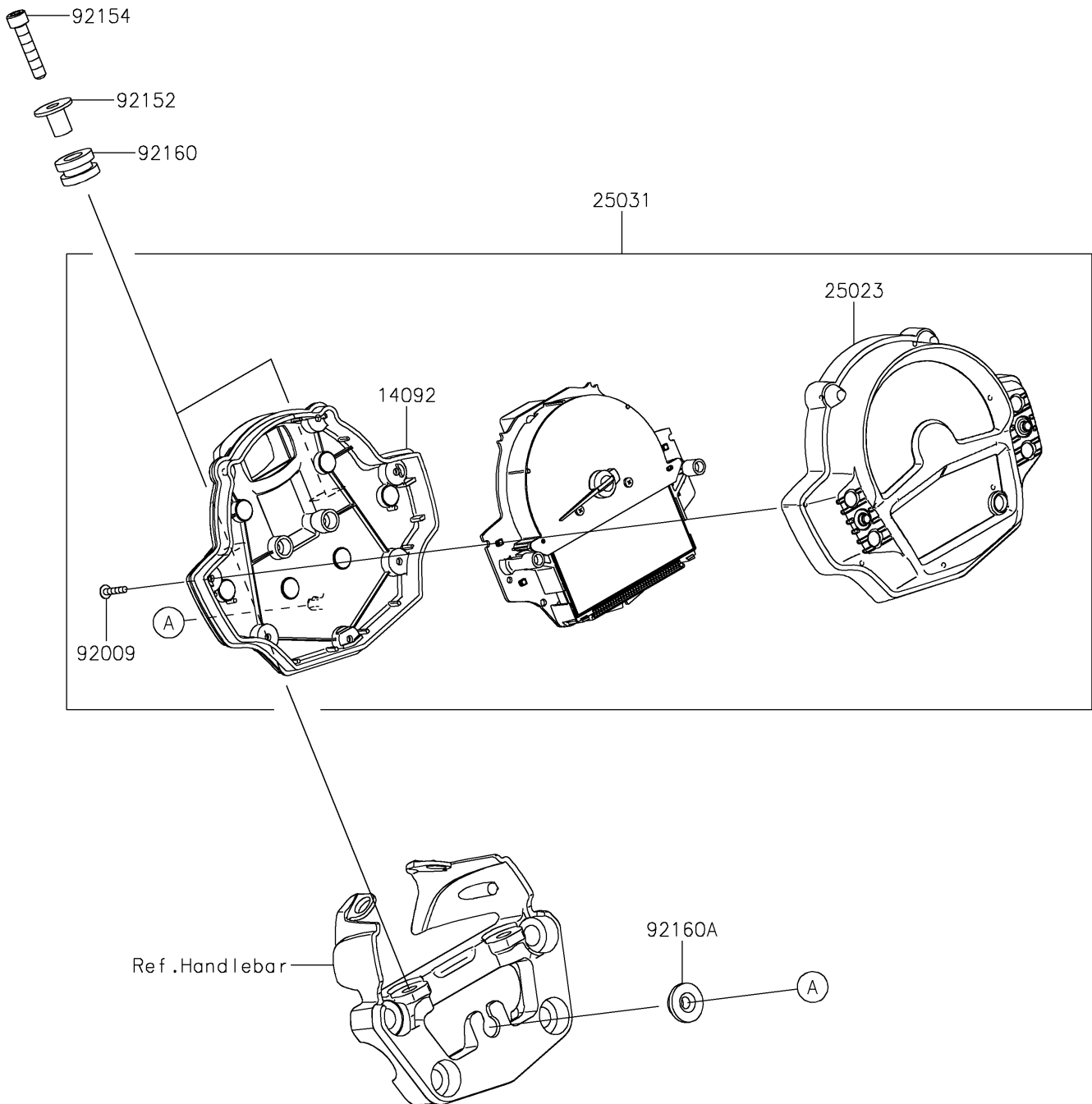


2021 VULCAN® S ABS SE

PARTS DIAGRAM

Meter(s)

F2530



2021 VULCAN[®] S ABS SE

PARTS LIST

Meter(s)

ITEM NAME

PART NUMBER

QUANTITY
