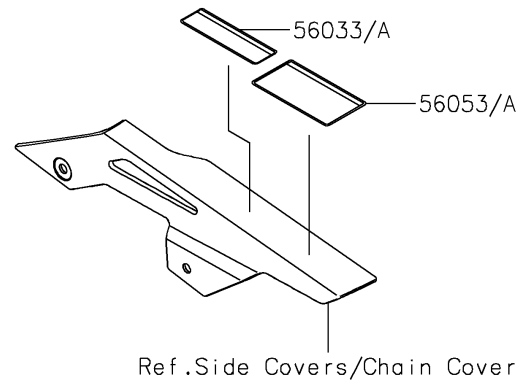
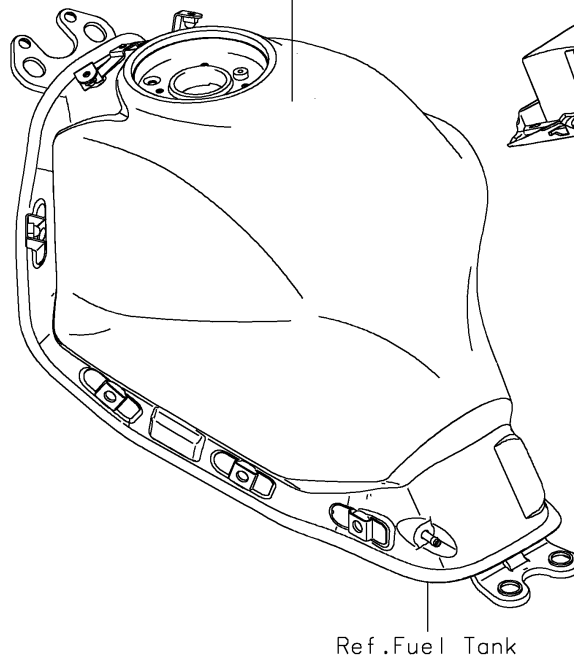
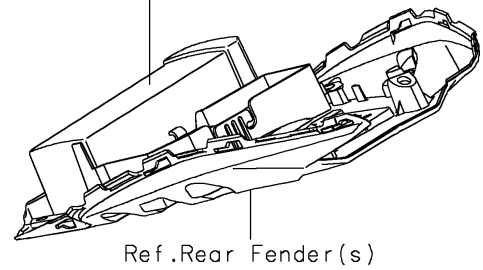
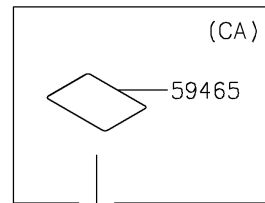
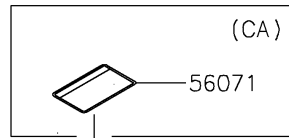
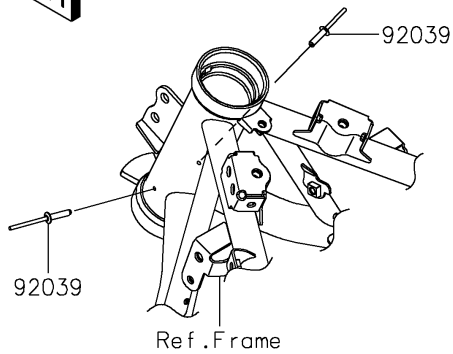


# 2021 NINJA® 650 ABS

## PARTS DIAGRAM

### Labels

F2860



# 2021 NINJA<sup>®</sup> 650 ABS

## PARTS LIST

### Labels



**ITEM NAME**

**PART NUMBER**

**QUANTITY**

---