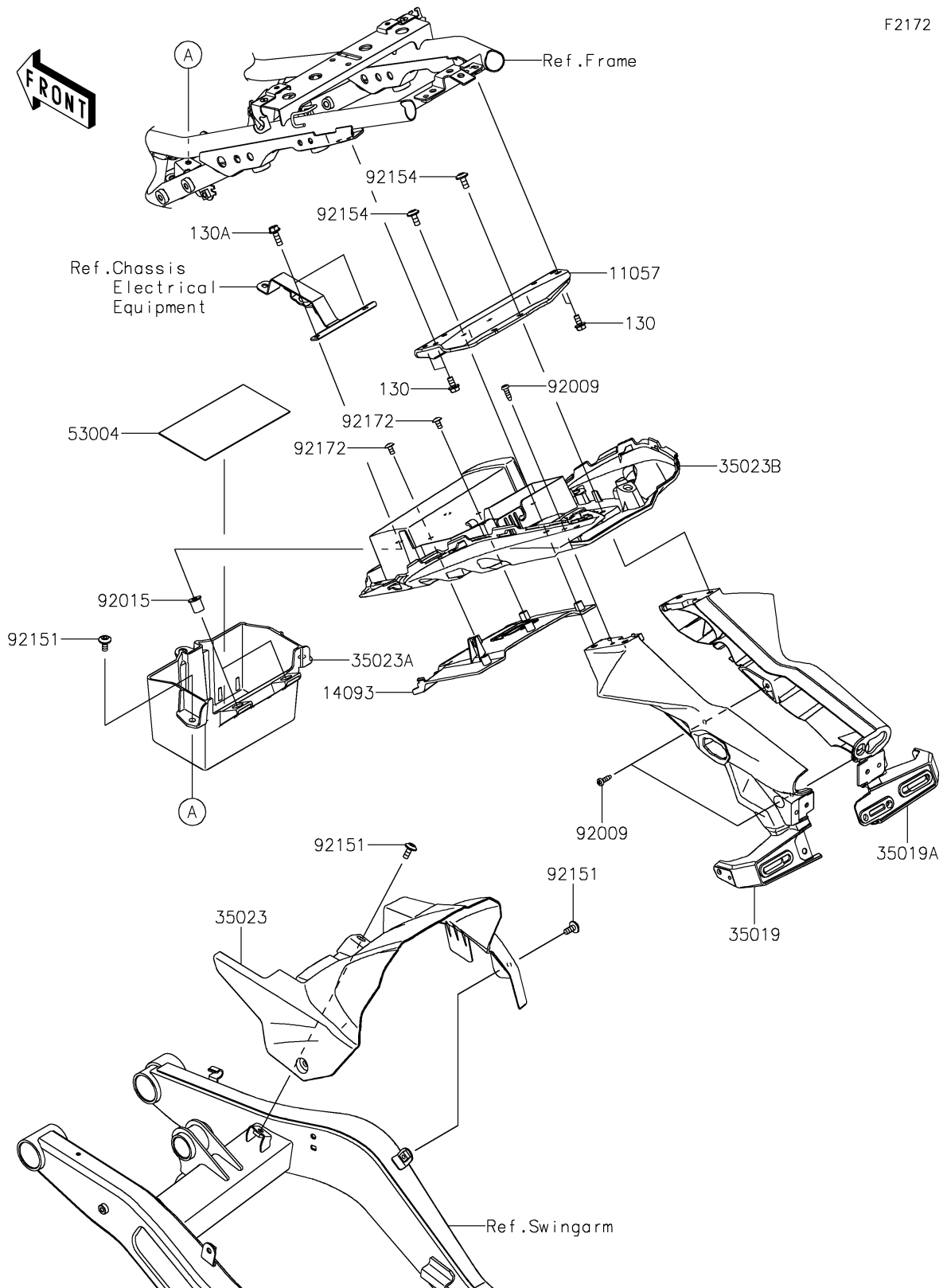


# 2021 NINJA® 650 ABS

## PARTS DIAGRAM

### Rear Fender(s)



# 2021 NINJA® 650 ABS

## PARTS LIST

### Rear Fender(s)

ITEM NAME	PART NUMBER	QUANTITY
-----------	-------------	----------

---