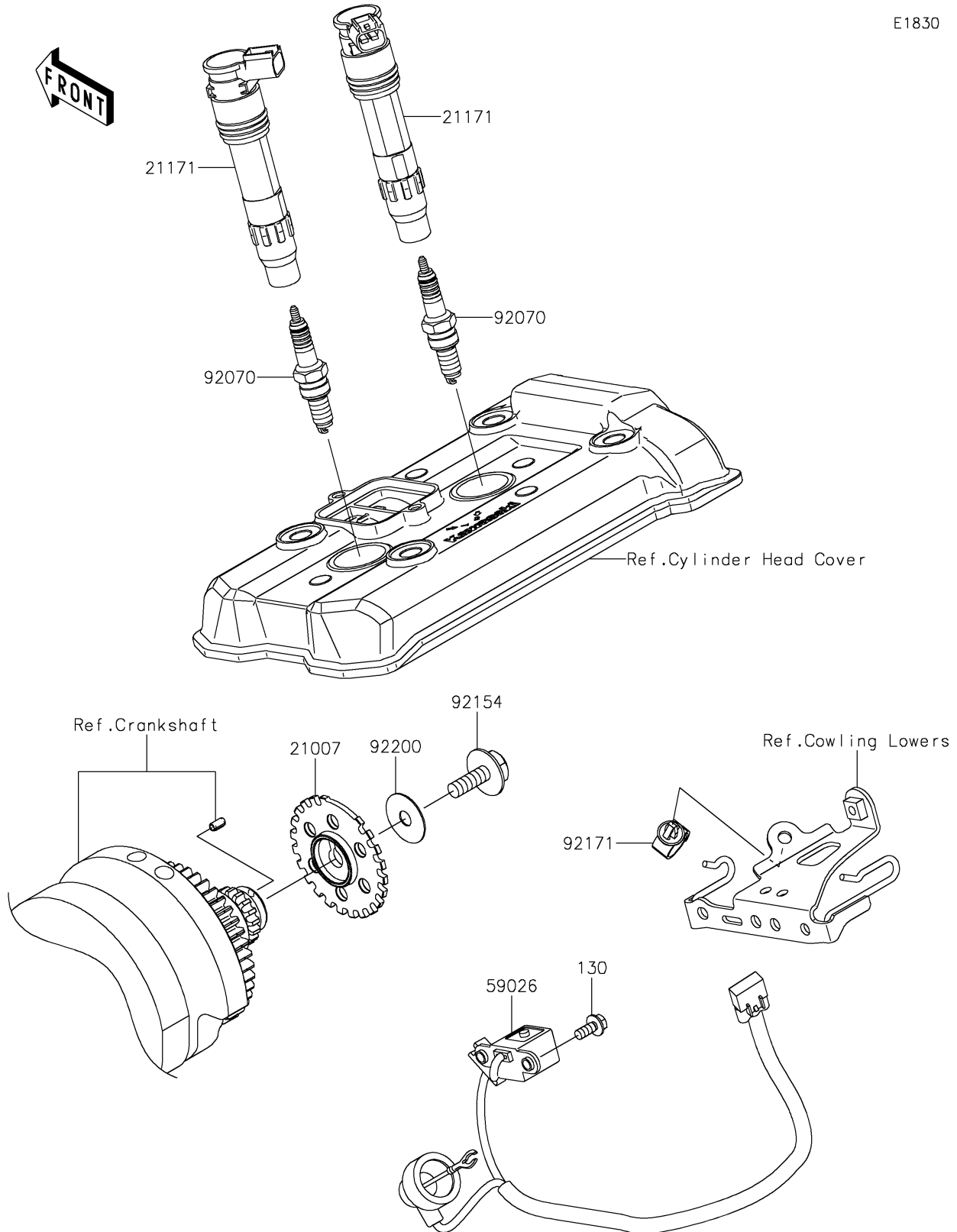


# 2021 NINJA® 650 ABS

## PARTS DIAGRAM

### Ignition System

E1830



# 2021 NINJA® 650 ABS

## PARTS LIST

### Ignition System

| ITEM NAME | PART NUMBER | QUANTITY |
|-----------|-------------|----------|
|-----------|-------------|----------|

---