

2003 KX250

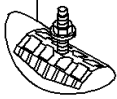
PARTS DIAGRAM

Optional Parts

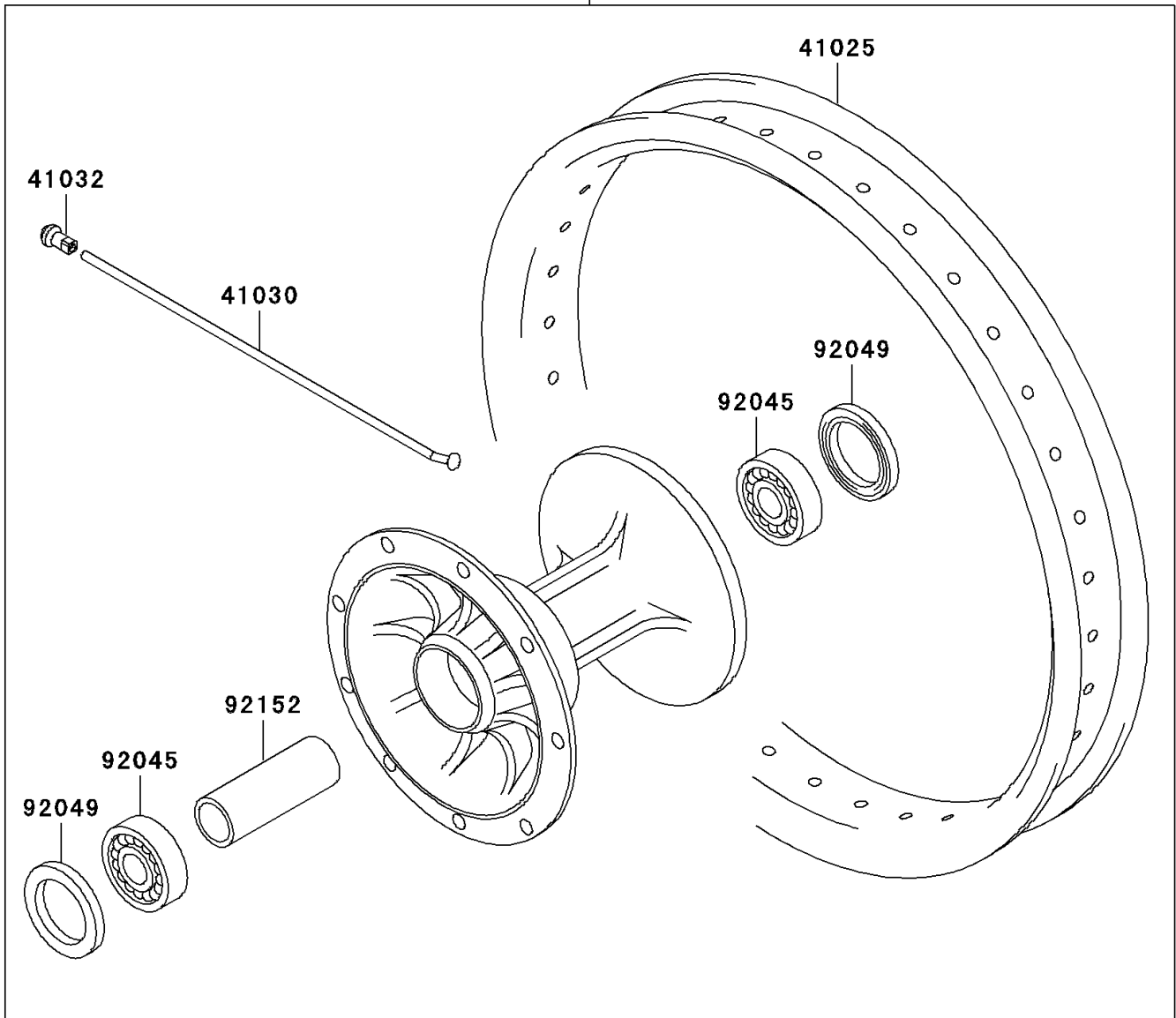
F2890



41024



41090



2003 KX250

PARTS LIST

Optional Parts

| ITEM NAME | PART NUMBER | QUANTITY |
|--|-------------|----------|
| STOPPER-RIM,1.85-M(DUNLOP) (Ref # 41024) | 41024-011 | 1 |
| RIM,FR,1.85X20 (Ref # 41025) | 41025-1410 | 1 |
| SPOKE-OUTER,FR,217.5MMX170D (Ref # 41030) | 41030-1172 | 36 |
| NIPPLE-SPOKE,ALUMINIUM (Ref # 41032) | 41032-1086 | 36 |
| WHEEL,FR,1.85X20,ALUM NIPPLE (Ref # 41090) | 41090-1155 | 1 |
| BEARING-BALL,69042RS (Ref # 92045) | 92045-1284 | 2 |
| SEAL-OIL,BJNC-2 25X37X5 (Ref # 92049) | 92049-1403 | 2 |
| COLLAR,FRONT BRAKE DRUM,L=72 (Ref # 92152) | 92152-1472 | 1 |