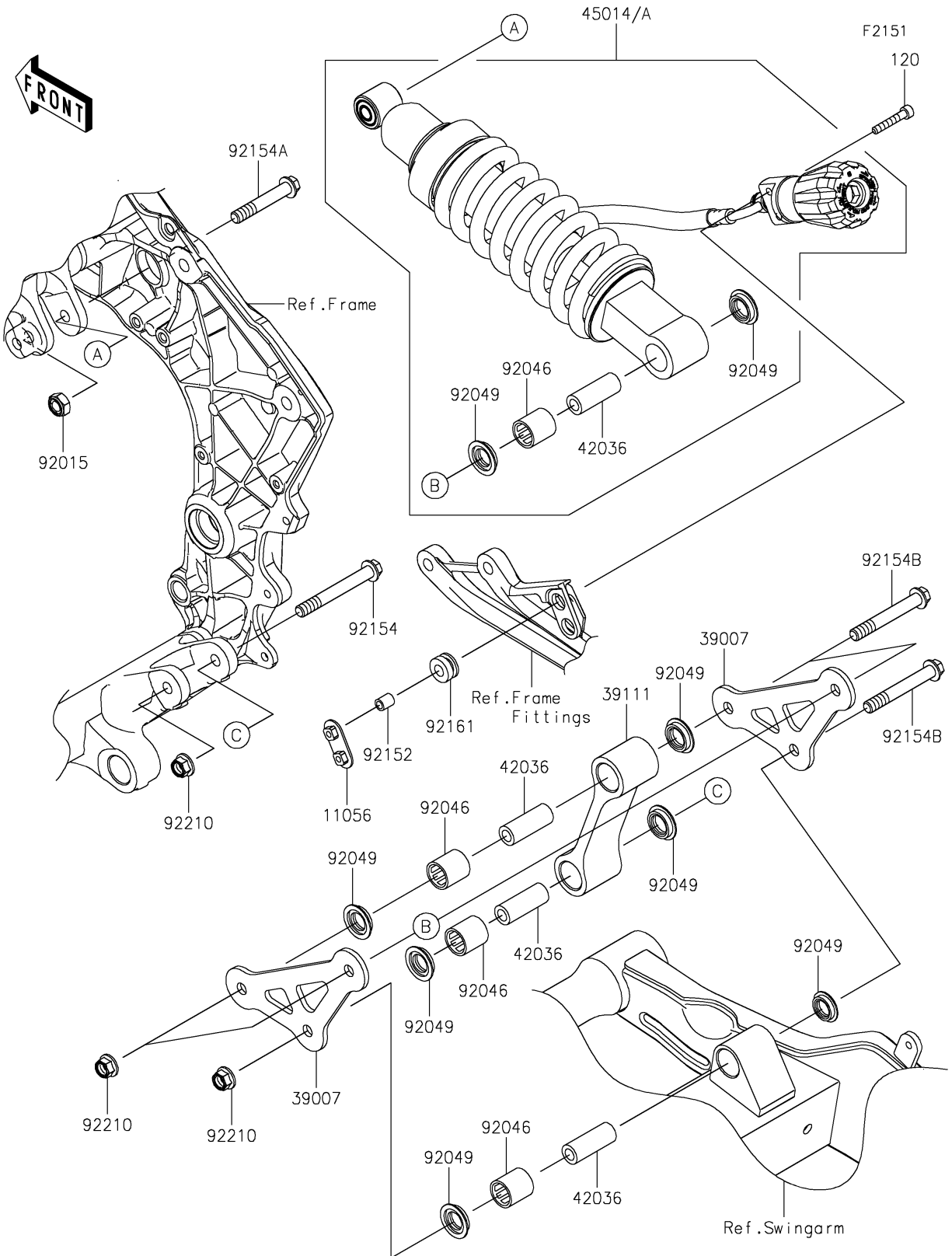


# 2018 NINJA® 1000 ABS

## PARTS DIAGRAM

### Suspension/Shock Absorber



# 2018 NINJA® 1000 ABS

## PARTS LIST

### Suspension/Shock Absorber

ITEM NAME	PART NUMBER	QUANTITY
BRACKET (Ref # 11056)	11056-1914	1
BOLT-SOCKET,6X35 (Ref # 120)	120CC0635	2
ARM-SUSP,P.SILVER (Ref # 39007)	39007-0405-458	2
ROD-TIE,SUSPENSION (Ref # 39111)	39111-0350	1
SLEEVE,10.1X17X44.5 (Ref # 42036)	42036-1342	4
SHOCKABSORBER,SPG SIL+BODY BLK (Ref # 45014)	45014-0592-37R	1
SHOCKABSORBER,S.RED+BLK+GRY (Ref # 45014A)	45014-0592-52S	1
NUT,LOCK,10MM,BLACK (Ref # 92015)	92015-1189	1
BEARING-NEEDLE,SFYZM172425 (Ref # 92046)	92046-1273	4
SEAL-OIL,MHA17245.7F (Ref # 92049)	92049-1223	8
COLLAR,6.4X10X12 (Ref # 92152)	92152-1628	2
BOLT,FLANGED,10X77 (Ref # 92154)	92154-0262	1
BOLT,FLANGED,10X60 (Ref # 92154A)	92154-0263	1
BOLT,FLANGED,10X67 (Ref # 92154B)	92154-0264	3
DAMPER (Ref # 92161)	92161-0036	2
NUT,LOCK,FLANGED,10MM (Ref # 92210)	92210-1139	4