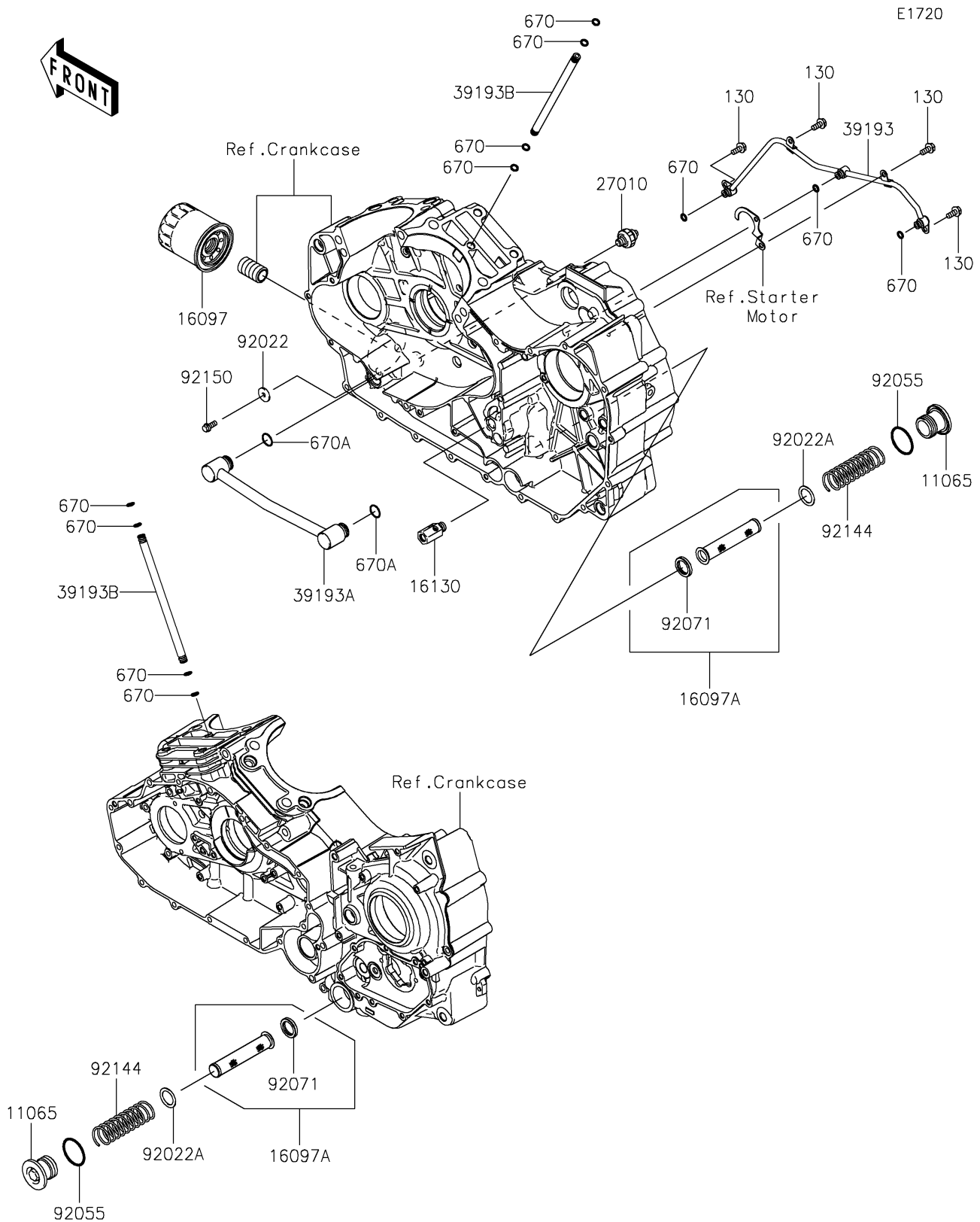


# 2021 VULCAN® 1700 VAQUERO® ABS

**Kawasaki**  
Let the Good Times Roll®

## PARTS DIAGRAM

### Oil Filter



# 2021 VULCAN® 1700 VAQUERO® ABS

**Kawasaki**  
Let the Good Times Roll®

## PARTS LIST

### Oil Filter

| ITEM NAME                              | PART NUMBER | QUANTITY |
|--|-------------|----------|
| CAP,OIL FILTER (Ref # 11065)           | 11065-0244  | 2        |
| BOLT-FLANGED,6X14 (Ref # 130)          | 130BA0614   | 4        |
| FILTER-ASSY-OIL (Ref # 16097)          | 16097-0008  | 1        |
| FILTER-ASSY-OIL (Ref # 16097A)         | 16097-1058  | 2        |
| VALVE-ASSY-RELIEF (Ref # 16130)        | 16130-1058  | 1        |
| SWITCH,OIL PRESSURE (Ref # 27010)      | 27010-1313  | 1        |
| PIPE-OIL,RH CASE,OUTSIDE (Ref # 39193) | 39193-0047  | 1        |
| PIPE-OIL,RH CASE,INSIDE (Ref # 39193A) | 39193-0048  | 1        |
| PIPE-OIL,CASE-HEAD (Ref # 39193B)      | 39193-1045  | 2        |
| O RING,7MM (Ref # 670)                 | 670D1507    | 11       |
| O RING,16MM (Ref # 670A)               | 670D2016    | 2        |
| WASHER,6X19.5X2 (Ref # 92022)          | 92022-1517  | 1        |
| WASHER,20.1X28X1 (Ref # 92022A)        | 92022-1547  | 2        |
| RING-O,35.2X2.4 (Ref # 92055)          | 92055-1358  | 2        |
| GROMMET,OIL STRAINER (Ref # 92071)     | 92071-100   | 2        |
| SPRING (Ref # 92144)                   | 92144-1106  | 2        |
| BOLT,6X14 (Ref # 92150)                | 92150-1916  | 1        |