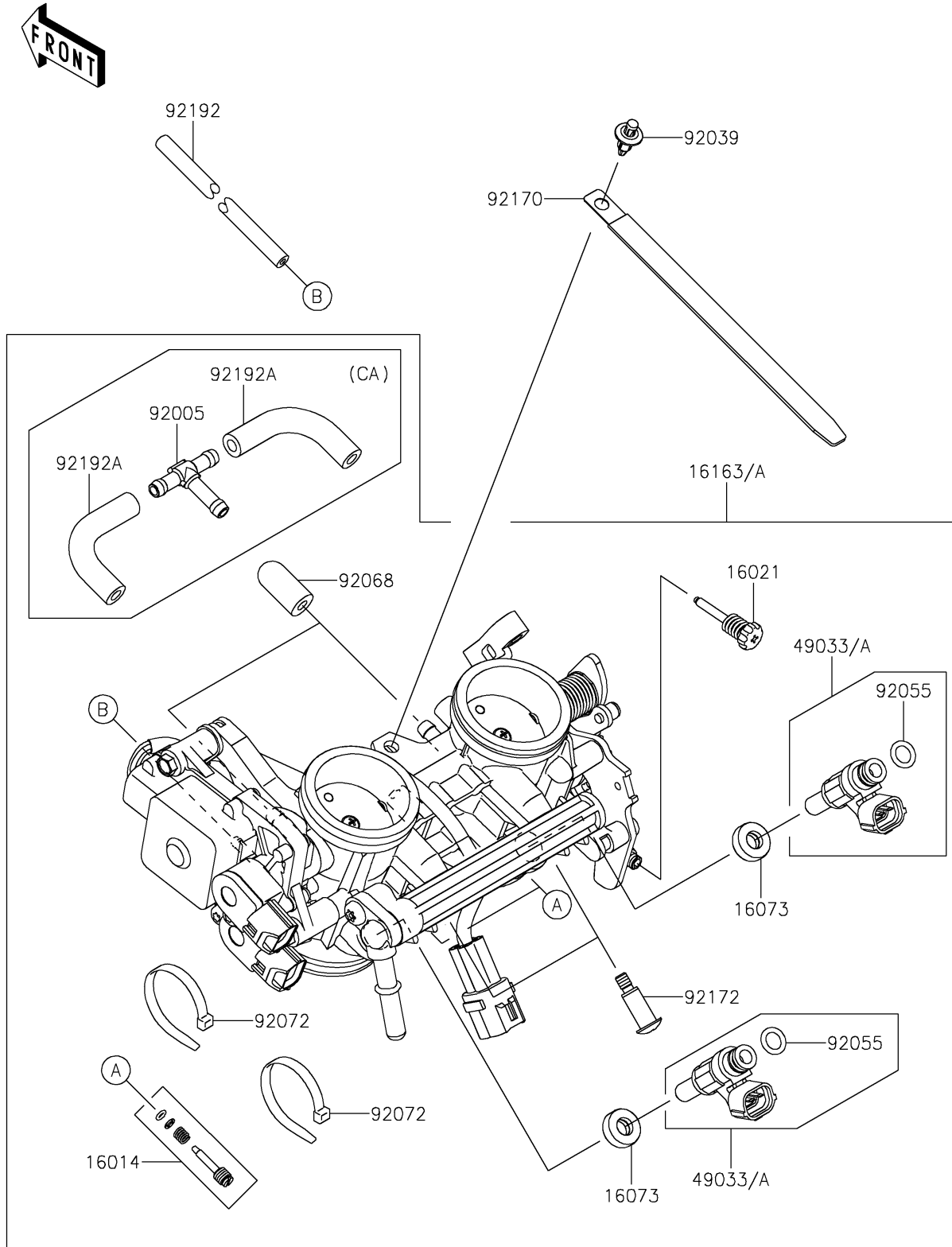


2021 Z650

PARTS DIAGRAM

Throttle

E1510



2021 Z650

PARTS LIST

Throttle

| ITEM NAME | PART NUMBER | QUANTITY |
|---------------------------------------|-------------|----------|
| SCREW-PILOT AIR (Ref # 16014) | 16014-0002 | 2 |
| SCREW-THROTTLE STOP (Ref # 16021) | 16021-0033 | 1 |
| INSULATOR (Ref # 16073) | 16073-0129 | 2 |
| THROTTLE-ASSY (Ref # 16163) | 16163-0875 | 1 |
| THROTTLE-ASSY (Ref # 16163A) | 16163-1131 | 1 |
| NOZZLE-INJECTION (Ref # 49033) | 49033-0042 | 2 |
| NOZZLE-INJECTION (Ref # 49033A) | 49033-0568 | 2 |
| FITTING,3WAY (Ref # 92005) | 92005-0730 | 1 |
| RIVET (Ref # 92039) | 92039-0707 | 1 |
| RING-O,INJECTION NOZZLE (Ref # 92055) | 92055-0124 | 2 |
| PLUG,12X25 (Ref # 92068) | 92068-006 | 2 |
| BAND,SUB-HARNESS (Ref # 92072) | 92072-0012 | 2 |
| CLAMP,L=150 (Ref # 92170) | 92170-1114 | 1 |
| SCREW,PIPE INJECTION (Ref # 92172) | 92172-0064 | 2 |
| TUBE,3X6.7X300 (Ref # 92192) | 92192-0977 | 1 |
| TUBE (Ref # 92192A) | 92192-1045 | 2 |