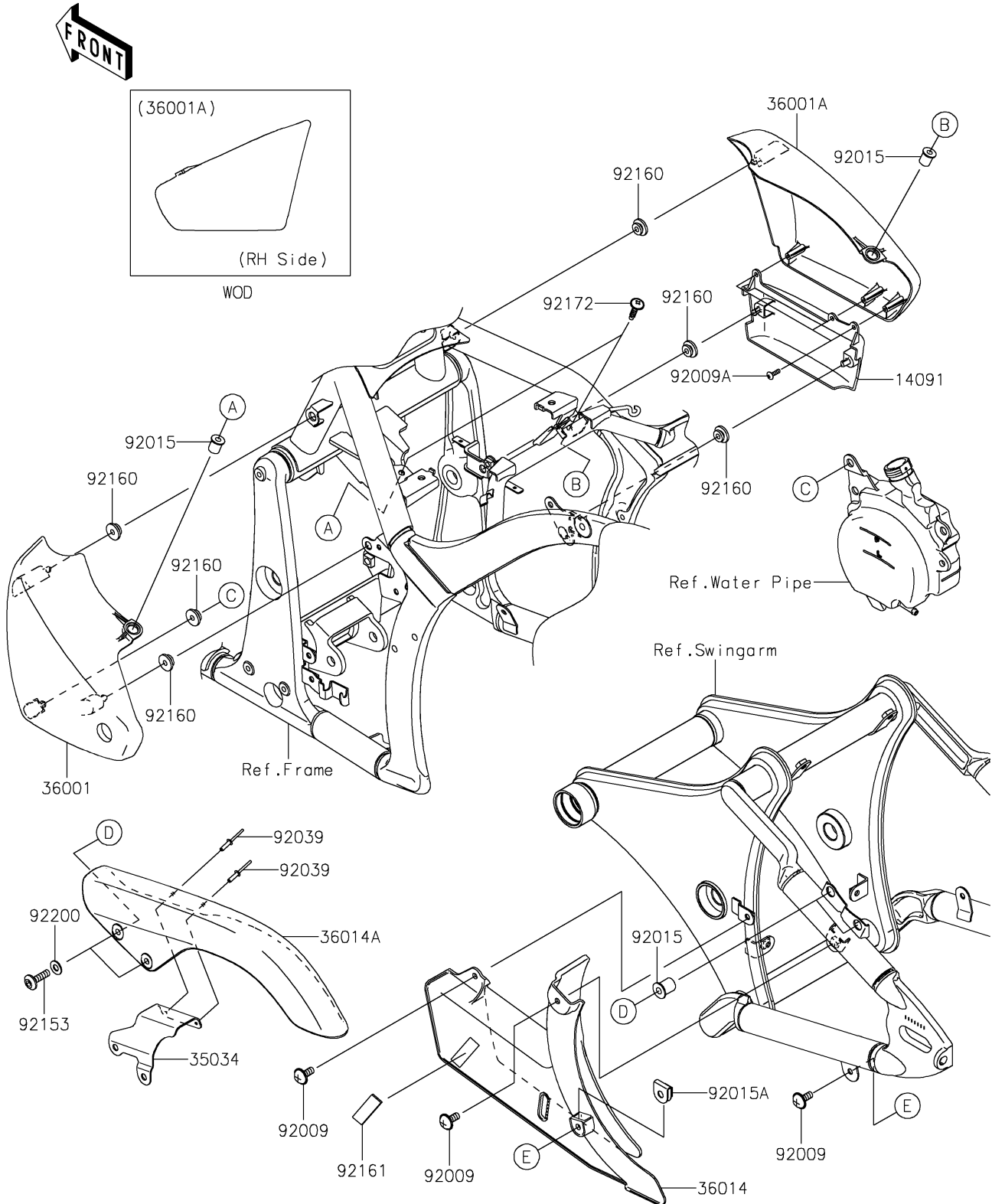


2021 VULCAN® 900 CLASSIC

PARTS DIAGRAM

Side Covers/Chain Cover

F2610



2021 VULCAN® 900 CLASSIC

PARTS LIST

Side Covers/Chain Cover

ITEM NAME	PART NUMBER	QUANTITY
-----------	-------------	----------
