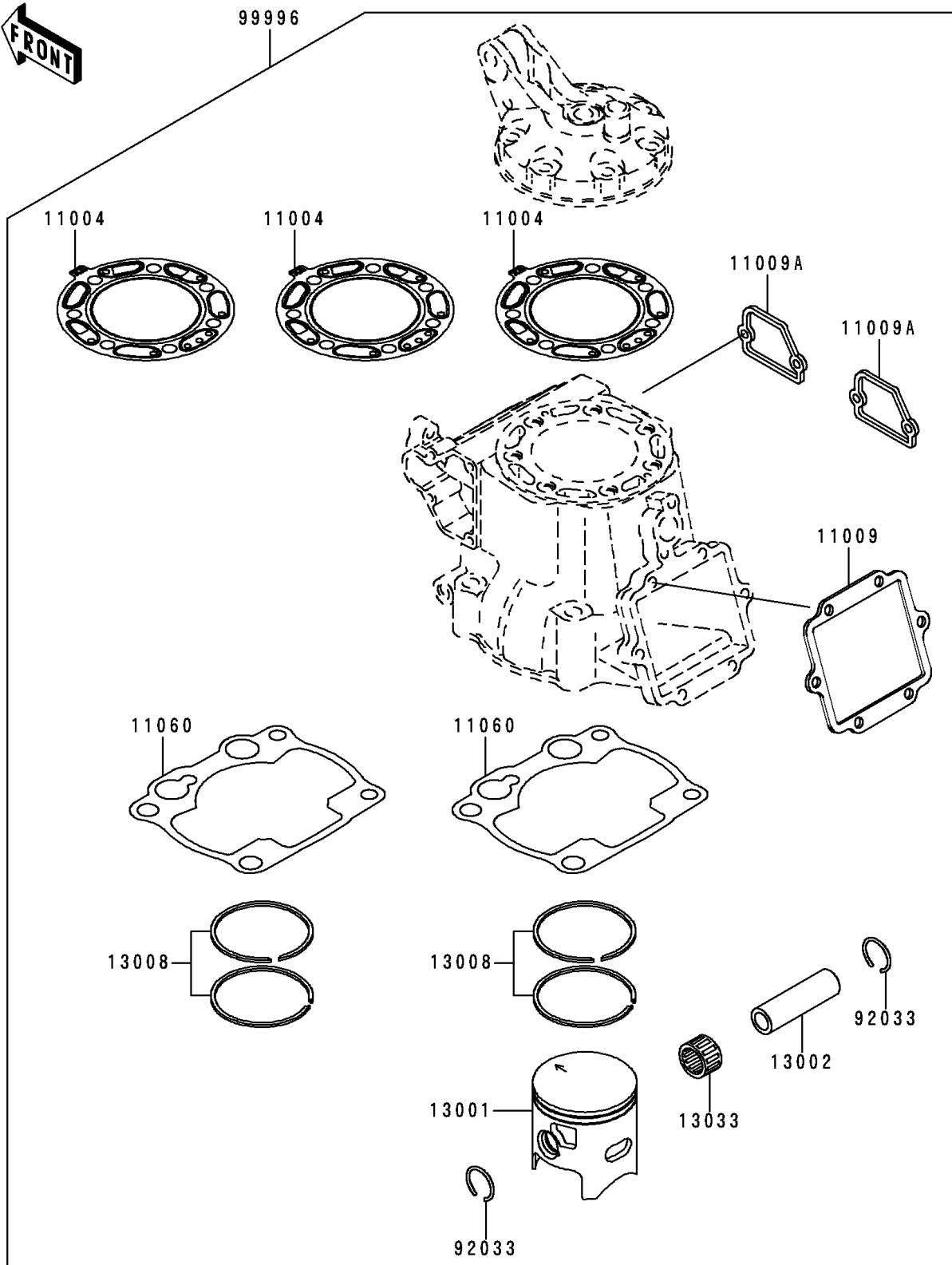


1999 KX250

PARTS DIAGRAM

Optional Parts

F2890



1999 KX250

PARTS LIST

Optional Parts

ITEM NAME

PART NUMBER

QUANTITY
