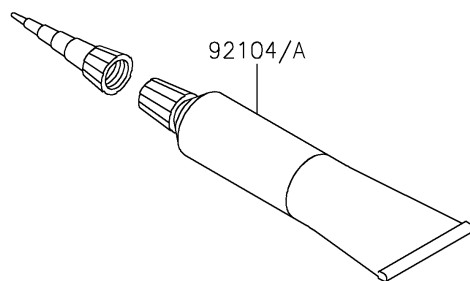
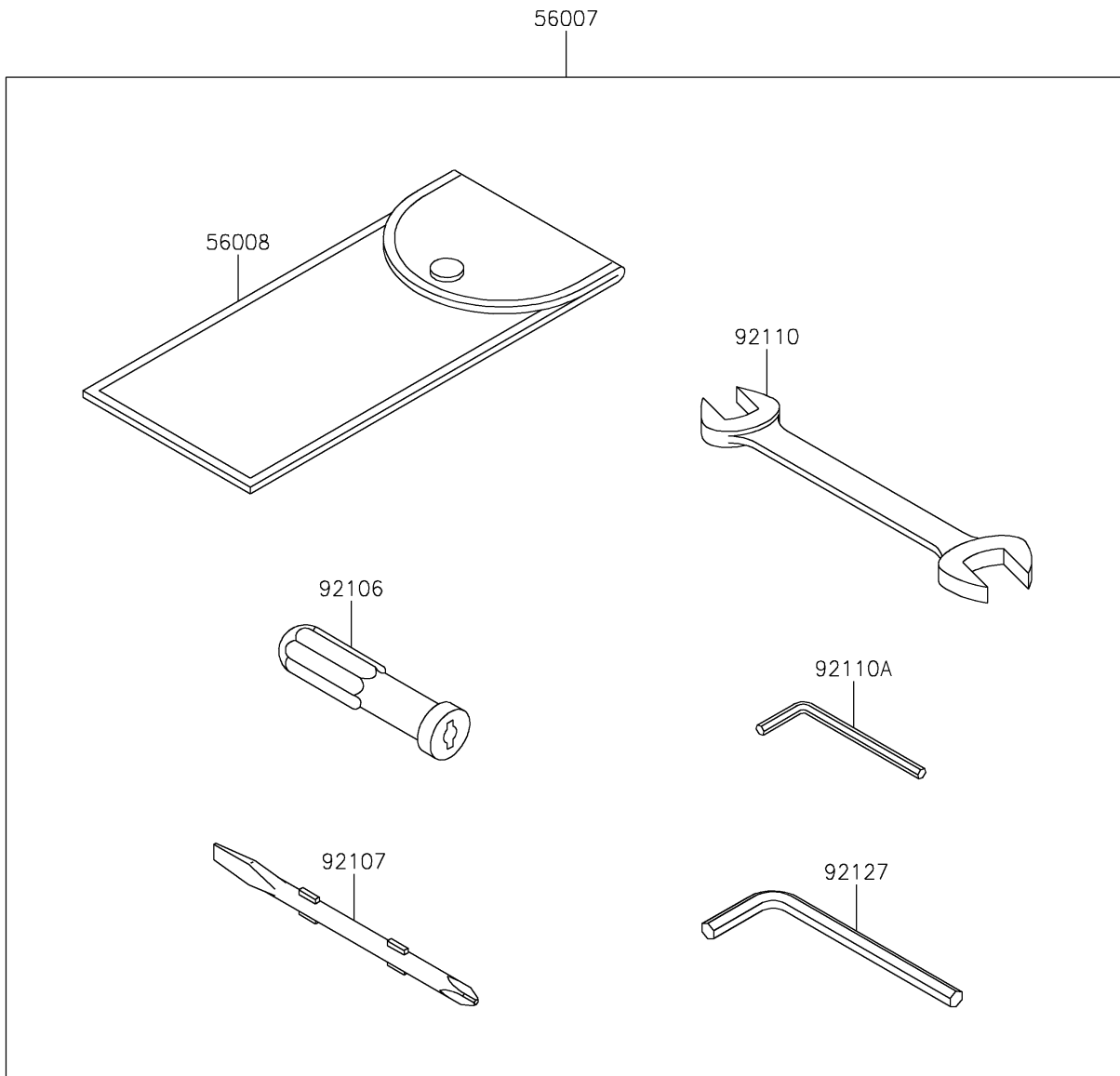


2020 Z H2

PARTS DIAGRAM

Owner's Tools

F2810



2020 Z H2

PARTS LIST

Owner's Tools

ITEM NAME

PART NUMBER

QUANTITY
