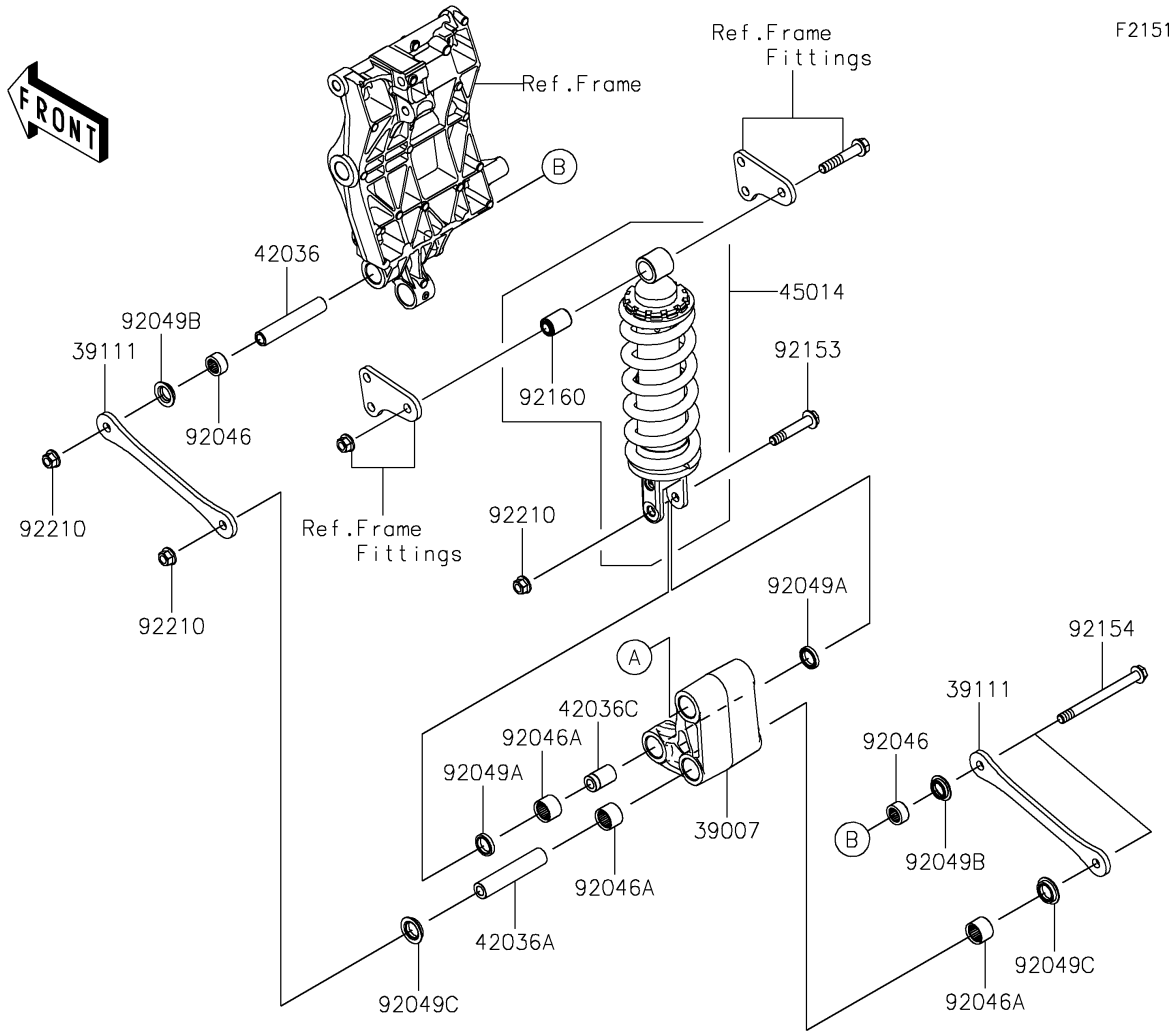


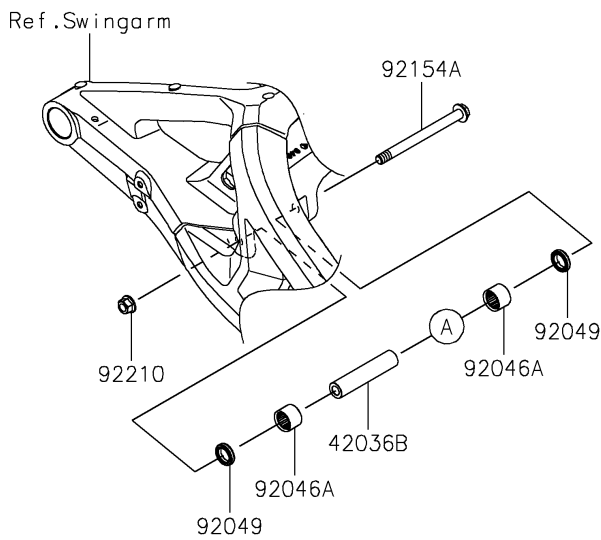
# 2020 Z H2

## PARTS DIAGRAM

### Suspension/Shock Absorber



F2151



# 2020 Z H2

## PARTS LIST

### Suspension/Shock Absorber

**ITEM NAME**

**PART NUMBER**

**QUANTITY**

---