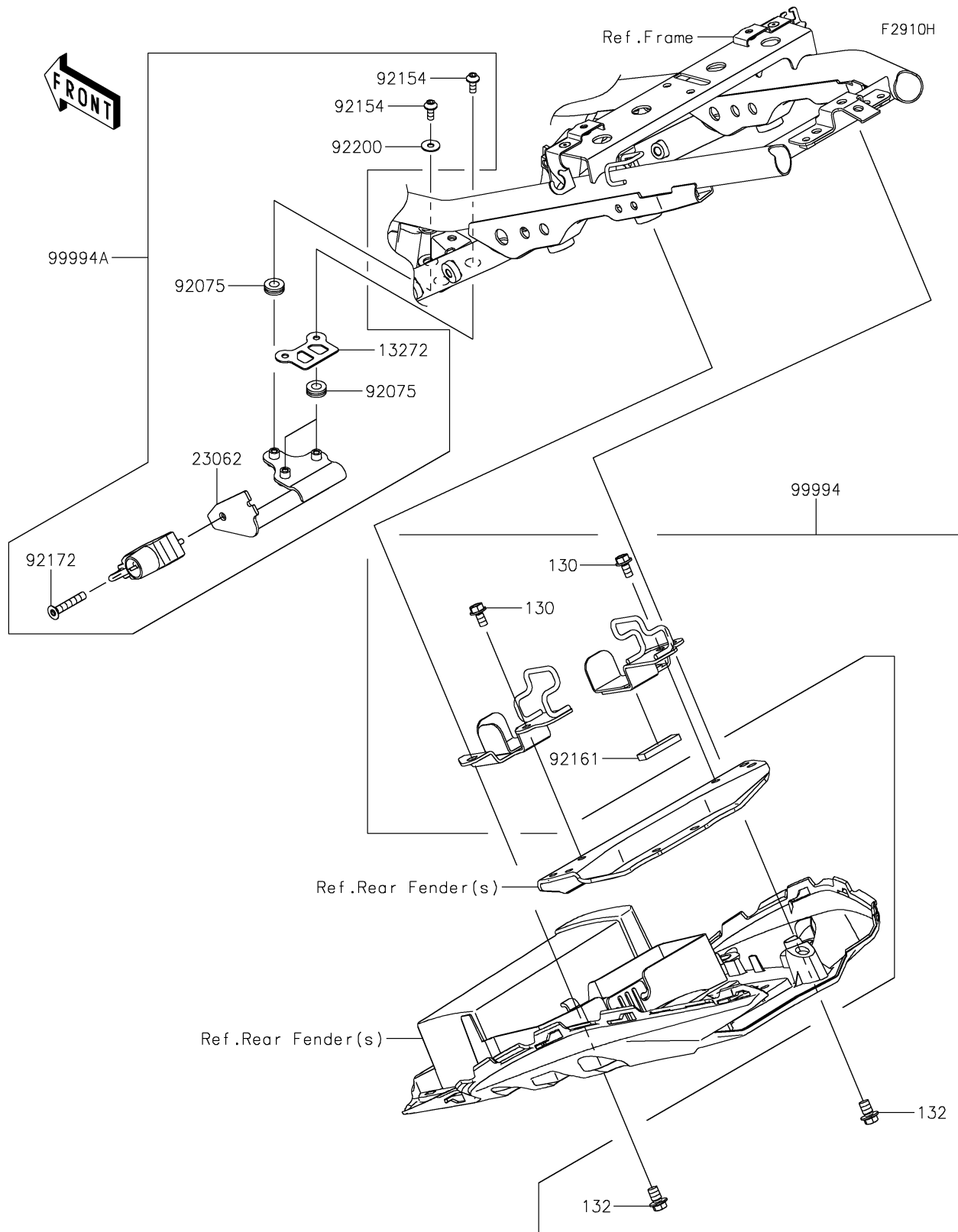


# 2020 NINJA® 650 ABS KRT EDITION

## PARTS DIAGRAM

Accessory(U-Lock Bracket etc.)



# 2020 NINJA® 650 ABS KRT EDITION



## PARTS LIST

Accessory(U-Lock Bracket etc.)

**ITEM NAME**

**PART NUMBER**

**QUANTITY**

---