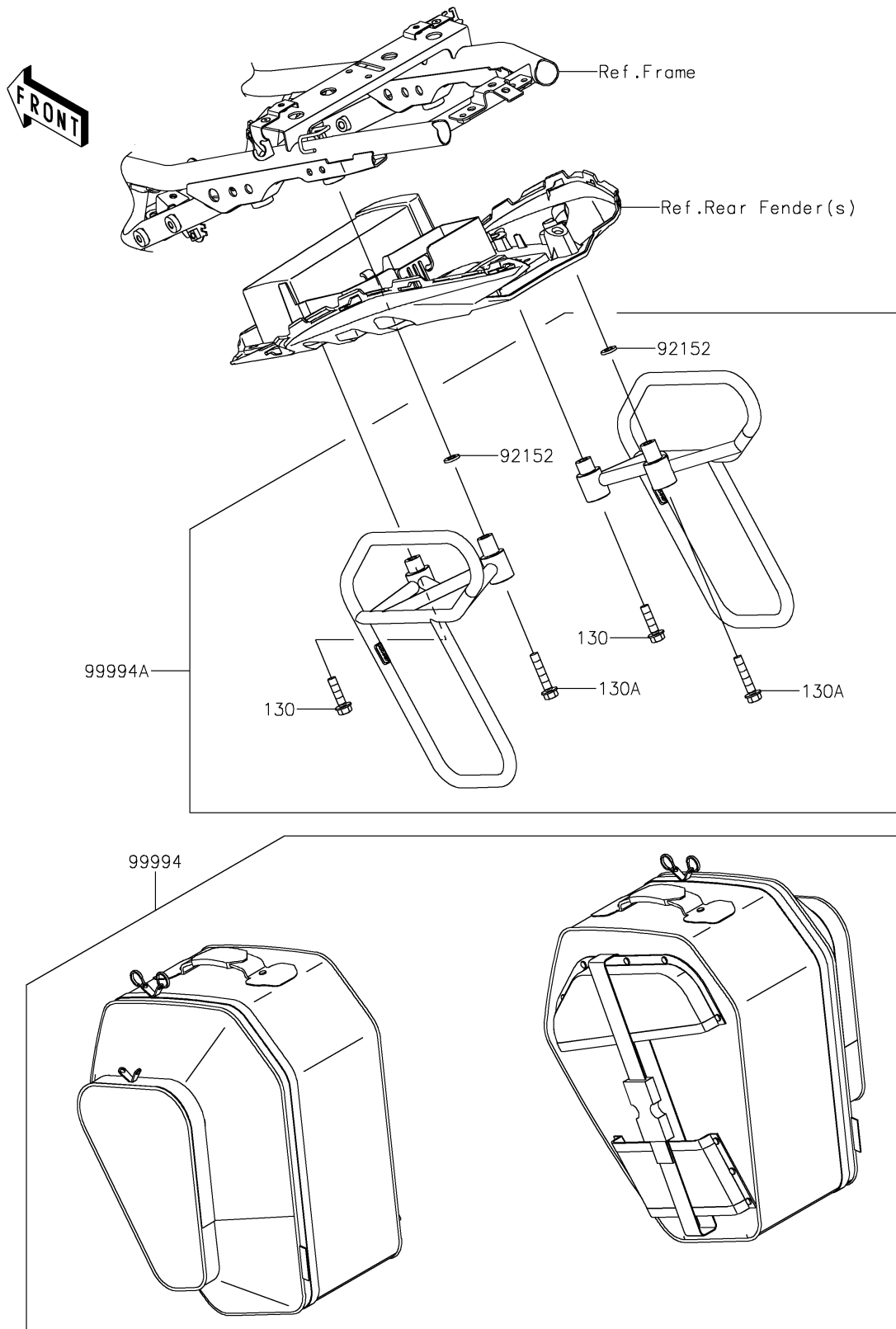


# 2020 NINJA® 650 ABS KRT EDITION

## PARTS DIAGRAM

### Accessory(Pannier)

F2910F



# 2020 NINJA® 650 ABS KRT EDITION



## PARTS LIST

Accessory(Pannier)

**ITEM NAME**

**PART NUMBER**

**QUANTITY**

---