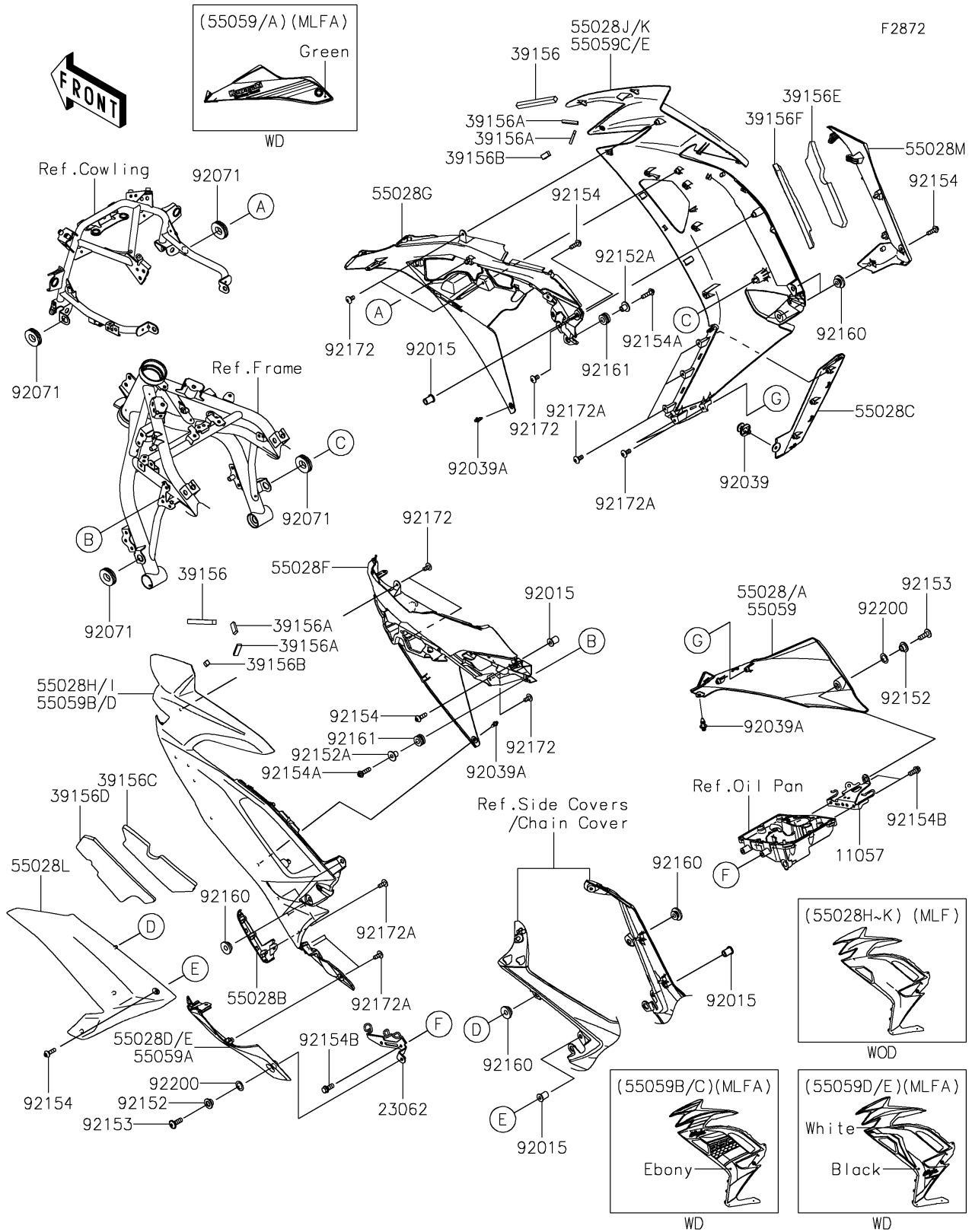


# 2020 NINJA® 650 ABS KRT EDITION

## PARTS DIAGRAM

### Cowling Lower



# 2020 NINJA® 650 ABS KRT EDITION



## PARTS LIST

### Cowling Lowers

ITEM NAME	PART NUMBER	QUANTITY
-----------	-------------	----------

---