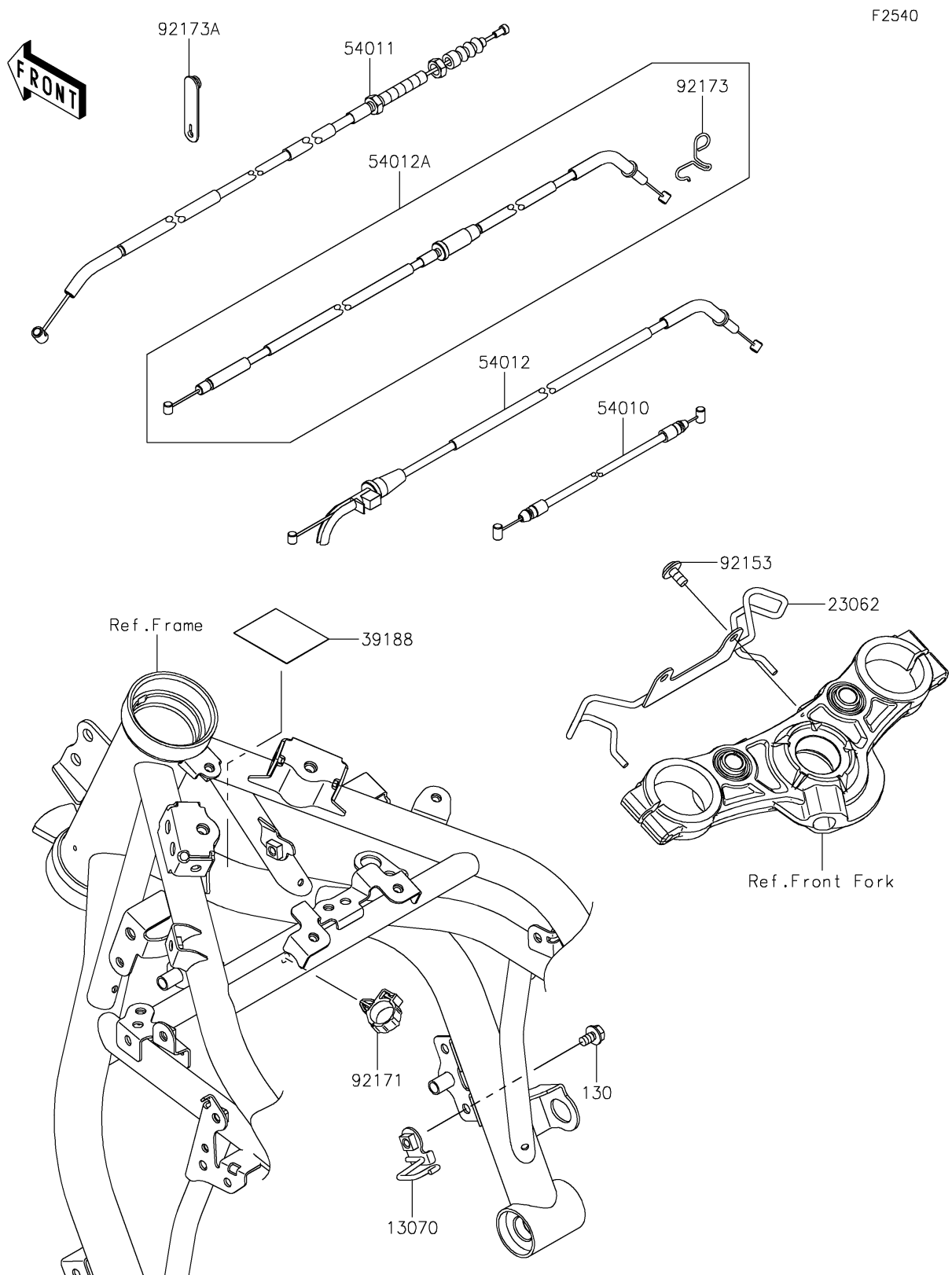


2020 NINJA® 650 ABS KRT EDITION

PARTS DIAGRAM

Cables



2020 NINJA® 650 ABS KRT EDITION



PARTS LIST

Cables

ITEM NAME	PART NUMBER	QUANTITY
-----------	-------------	----------
