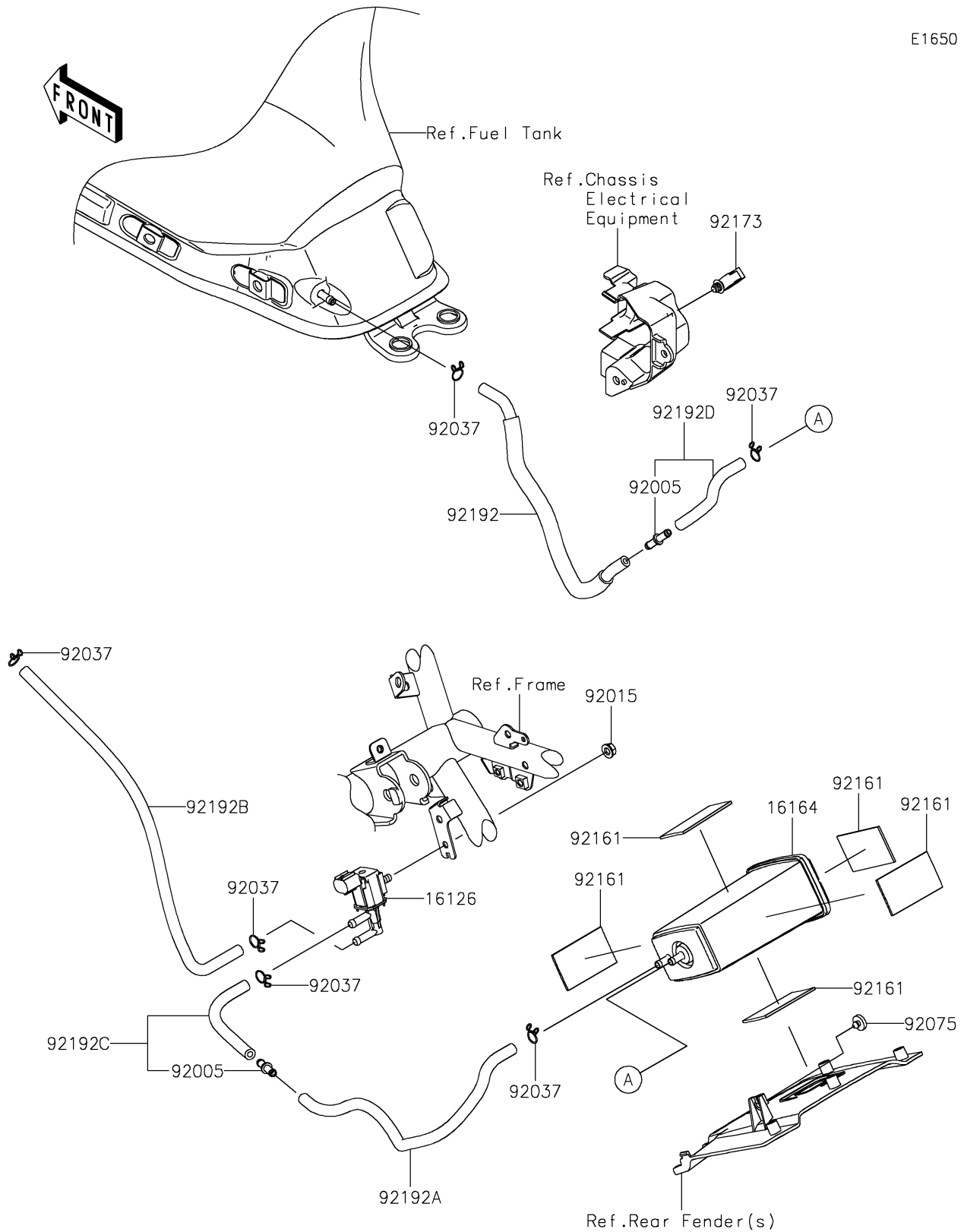


# 2020 NINJA® 650 ABS KRT EDITION

## PARTS DIAGRAM

### Fuel Evaporative System(CA)

E1650



# 2020 NINJA® 650 ABS KRT EDITION



## PARTS LIST

### Fuel Evaporative System(CA)

ITEM NAME	PART NUMBER	QUANTITY
-----------	-------------	----------

---