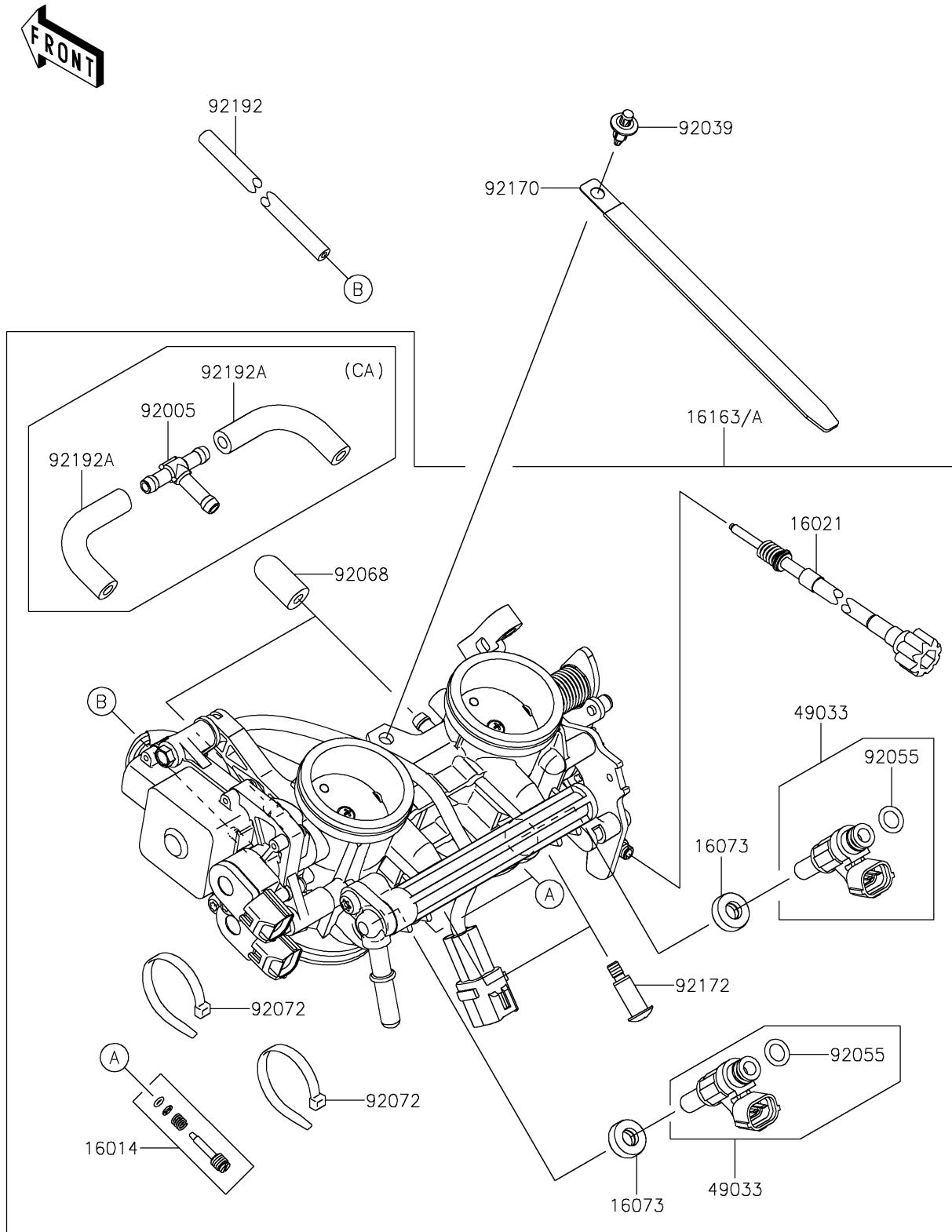


# 2020 NINJA® 650 ABS KRT EDITION

## PARTS DIAGRAM

### Throttle

E1510



# 2020 NINJA® 650 ABS KRT EDITION

**Kawasaki**  
Let the Good Times Roll®

## PARTS LIST

Throttle

ITEM NAME	PART NUMBER	QUANTITY
-----------	-------------	----------

---