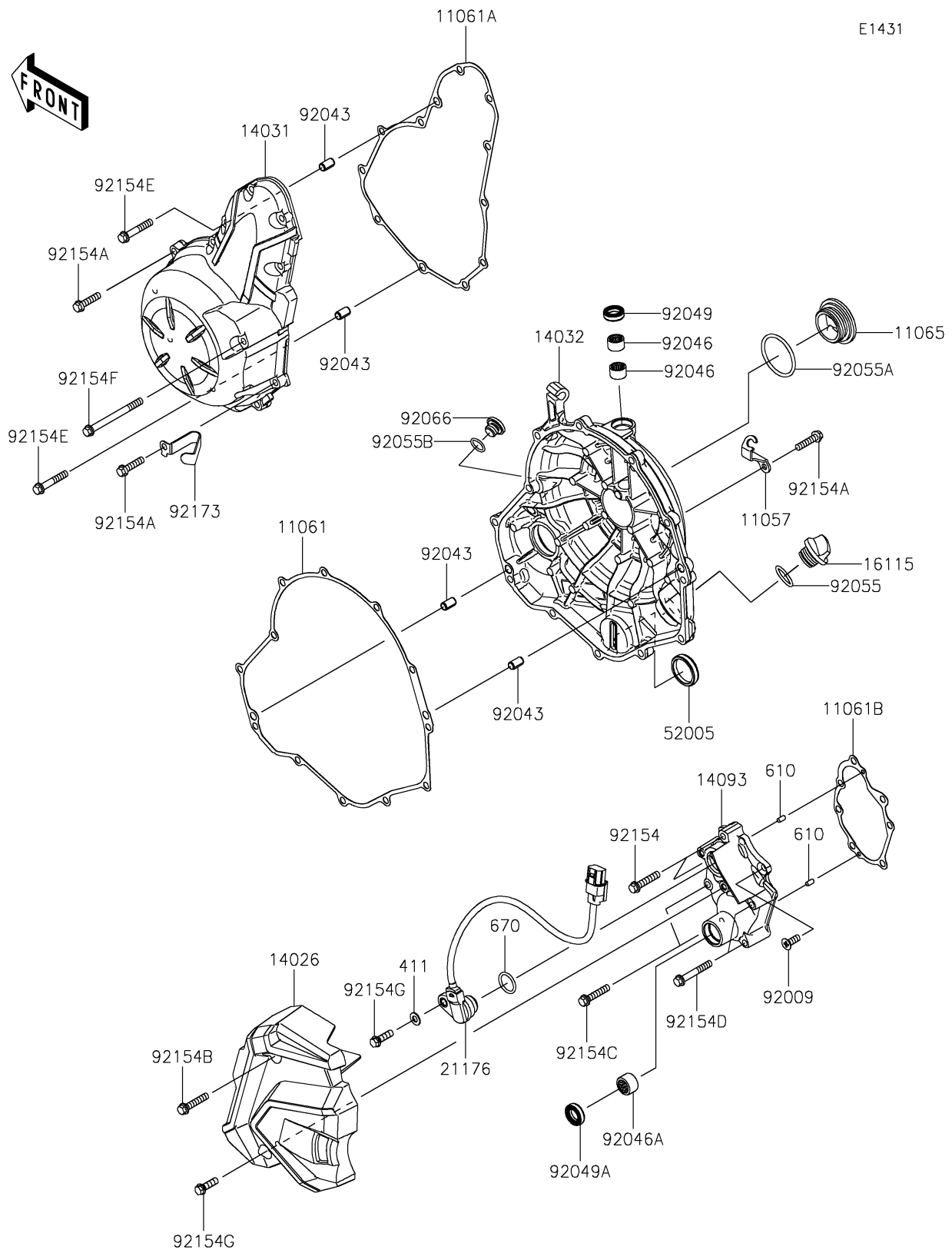


# 2020 NINJA® 650 ABS KRT EDITION

## PARTS DIAGRAM

### Engine Cover(s)



# 2020 NINJA® 650 ABS KRT EDITION

**Kawasaki**  
Let the Good Times Roll®

## PARTS LIST

Engine Cover(s)

**ITEM NAME**

**PART NUMBER**

**QUANTITY**

---