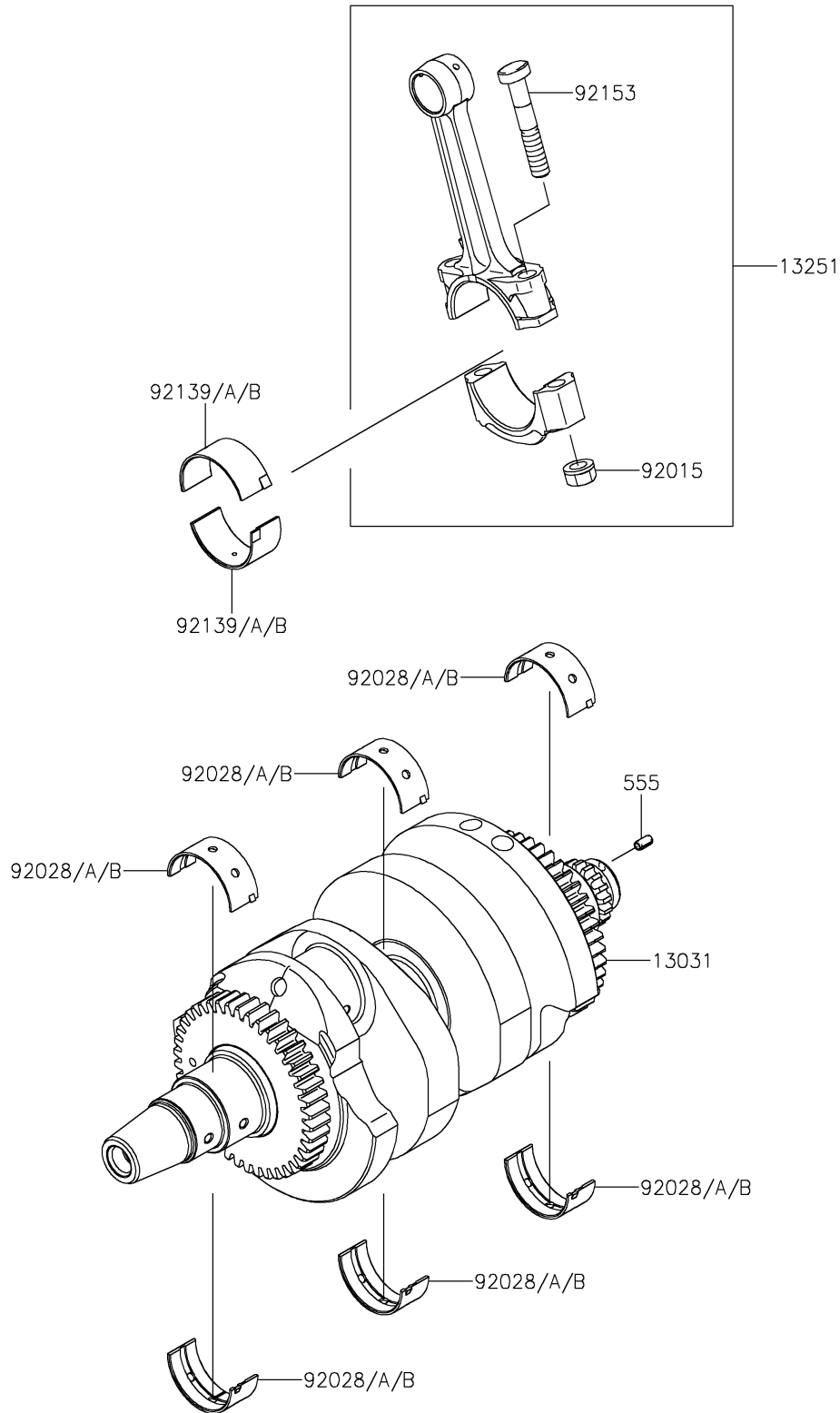


# 2020 NINJA® 650 ABS KRT EDITION

## PARTS DIAGRAM

### Crankshaft

E1321



# 2020 NINJA® 650 ABS KRT EDITION

**Kawasaki**  
Let the Good Times Roll®

## PARTS LIST

### Crankshaft

| ITEM NAME | PART NUMBER | QUANTITY |
|-----------|-------------|----------|
|-----------|-------------|----------|

---