

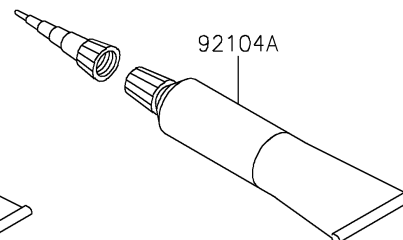
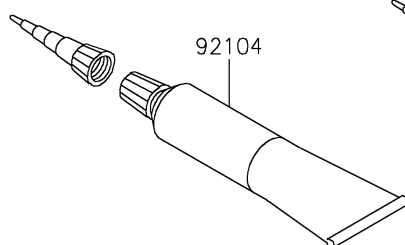
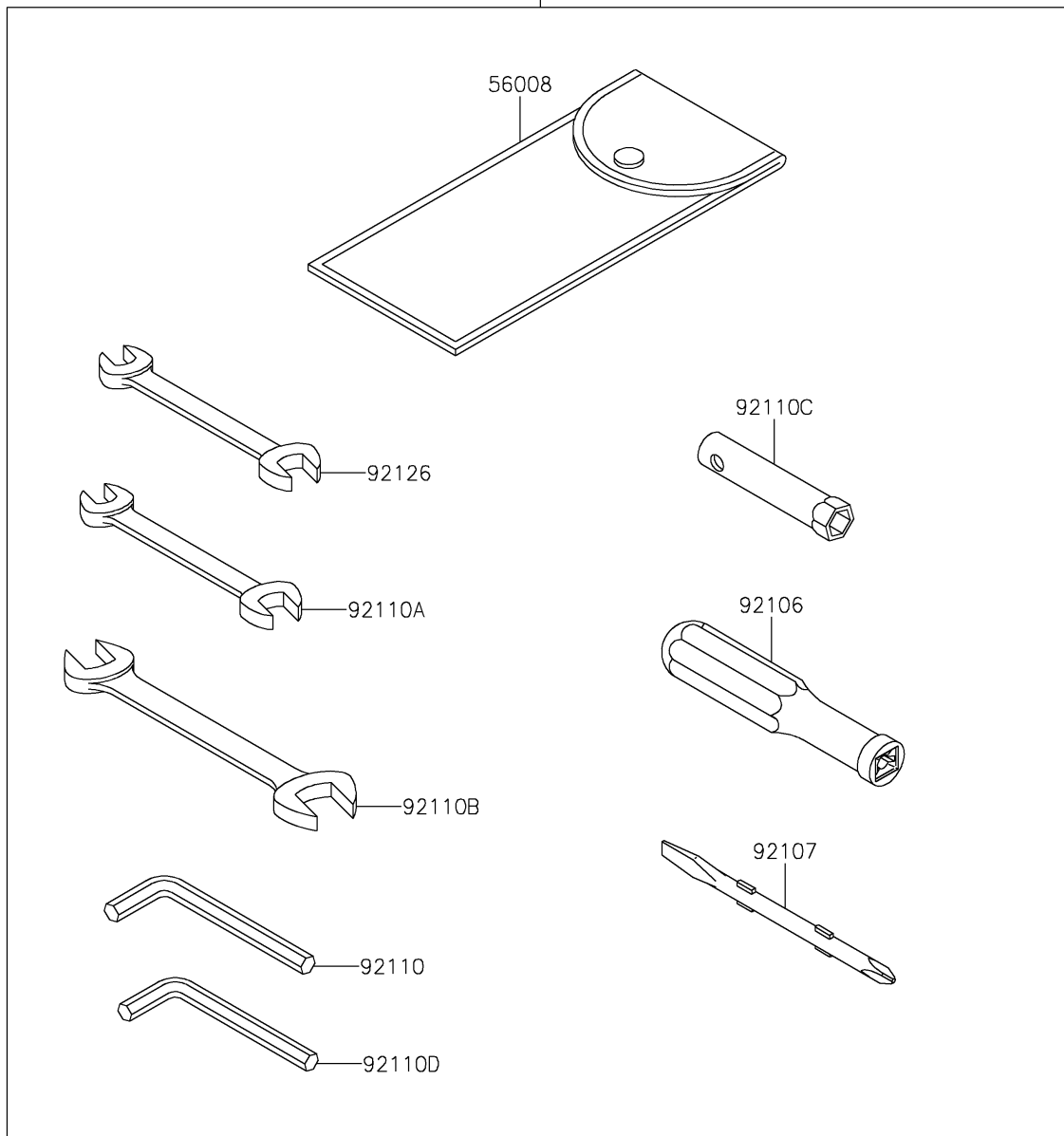
2020 CONCOURS®14 ABS

PARTS DIAGRAM

Owner's Tools

56007

F2810



2020 CONCOURS®14 ABS

PARTS LIST Owner's Tools

ITEM NAME

PART NUMBER

QUANTITY
