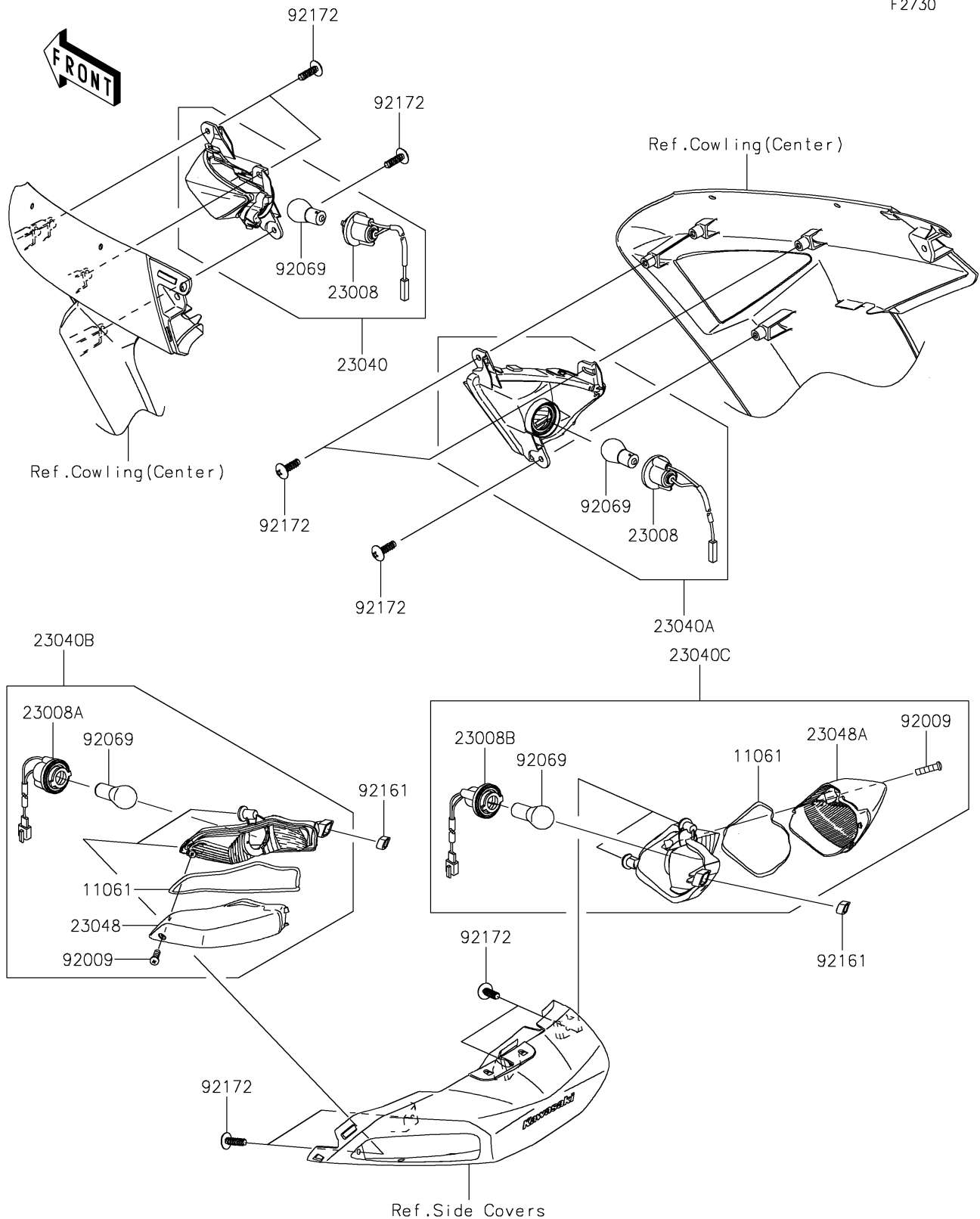


# 2020 CONCOURS®14 ABS

## PARTS DIAGRAM

### Turn Signals

F2730



# 2020 CONCOURS®14 ABS

## PARTS LIST

### Turn Signals

**ITEM NAME**

**PART NUMBER**

**QUANTITY**

---