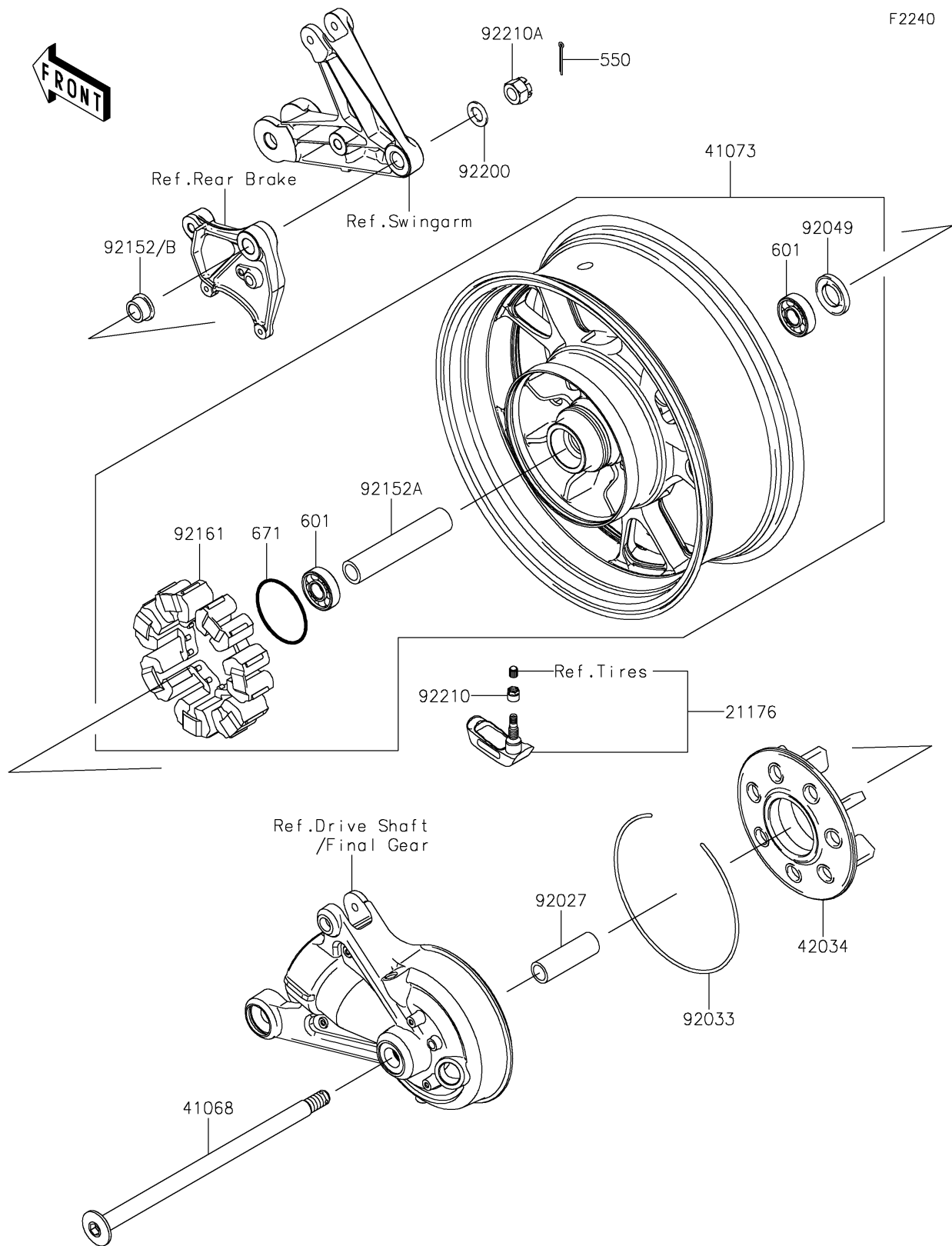


2020 CONCOURS®14 ABS

PARTS DIAGRAM

Rear Wheel/Chain



2020 CONCOURS®14 ABS

PARTS LIST

Rear Wheel/Chain

| ITEM NAME | PART NUMBER | QUANTITY |
|-----------|-------------|----------|
|-----------|-------------|----------|
