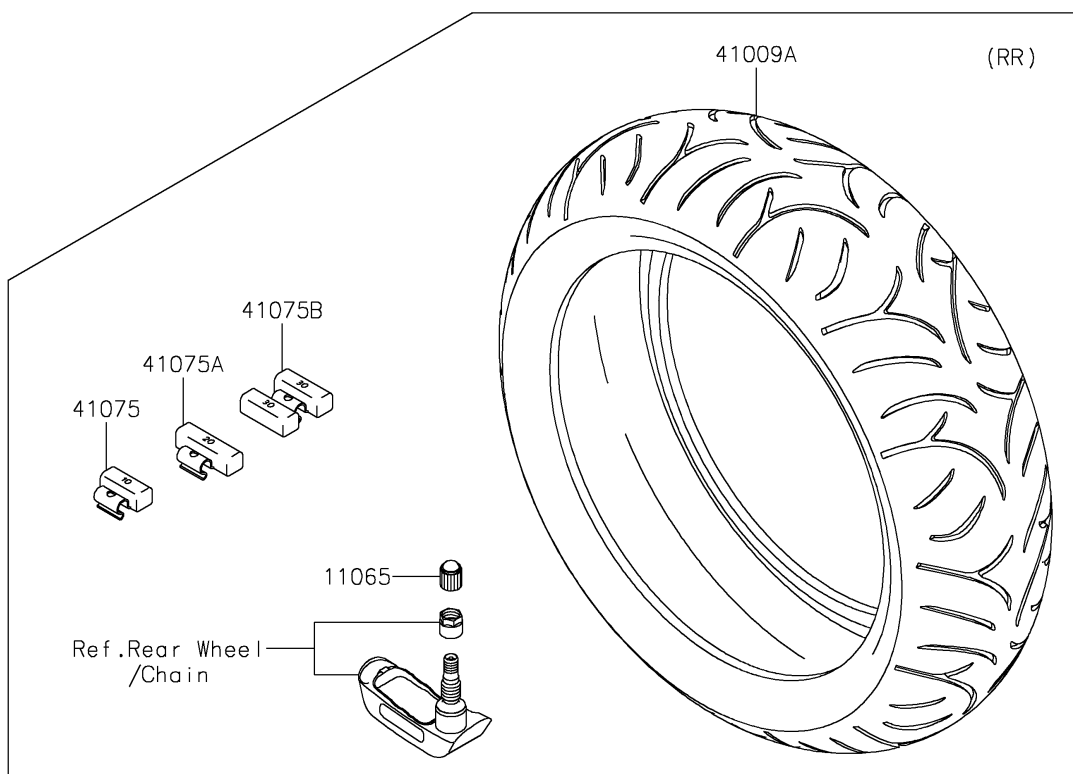
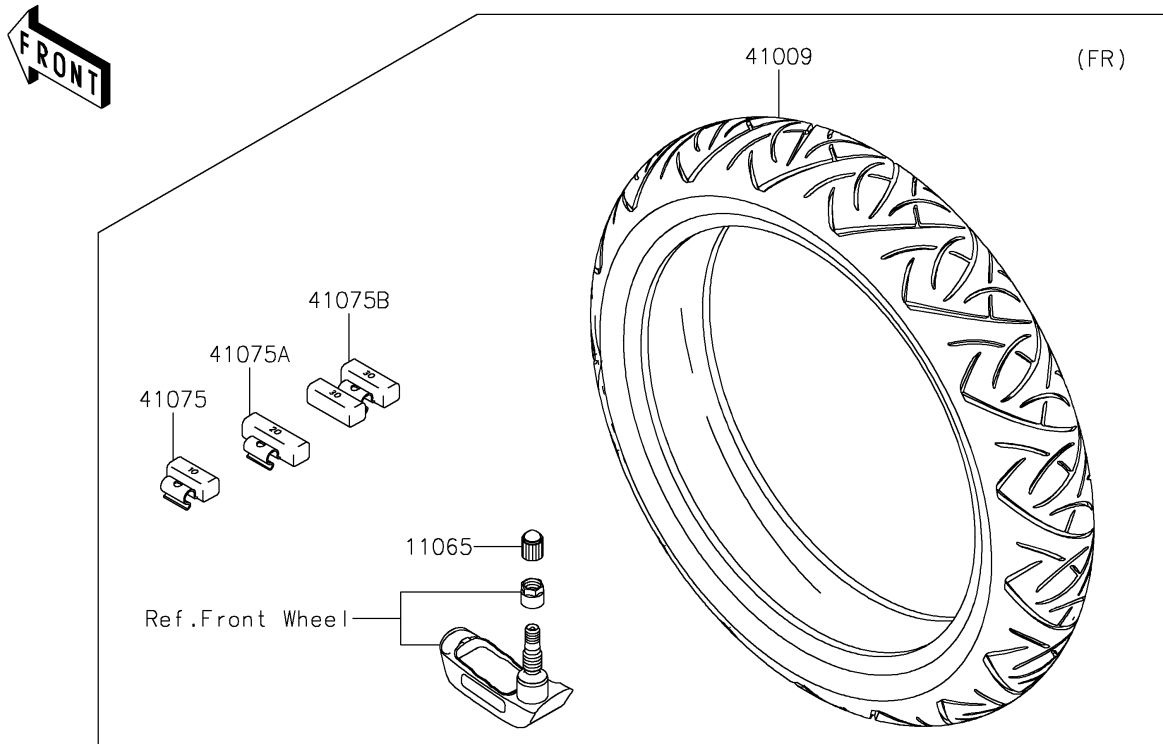


# 2020 CONOURS®14 ABS

## PARTS DIAGRAM

### Tires

F2210



# 2020 CONCOURS®14 ABS

## PARTS LIST

### Tires

**ITEM NAME**

**PART NUMBER**

**QUANTITY**

---