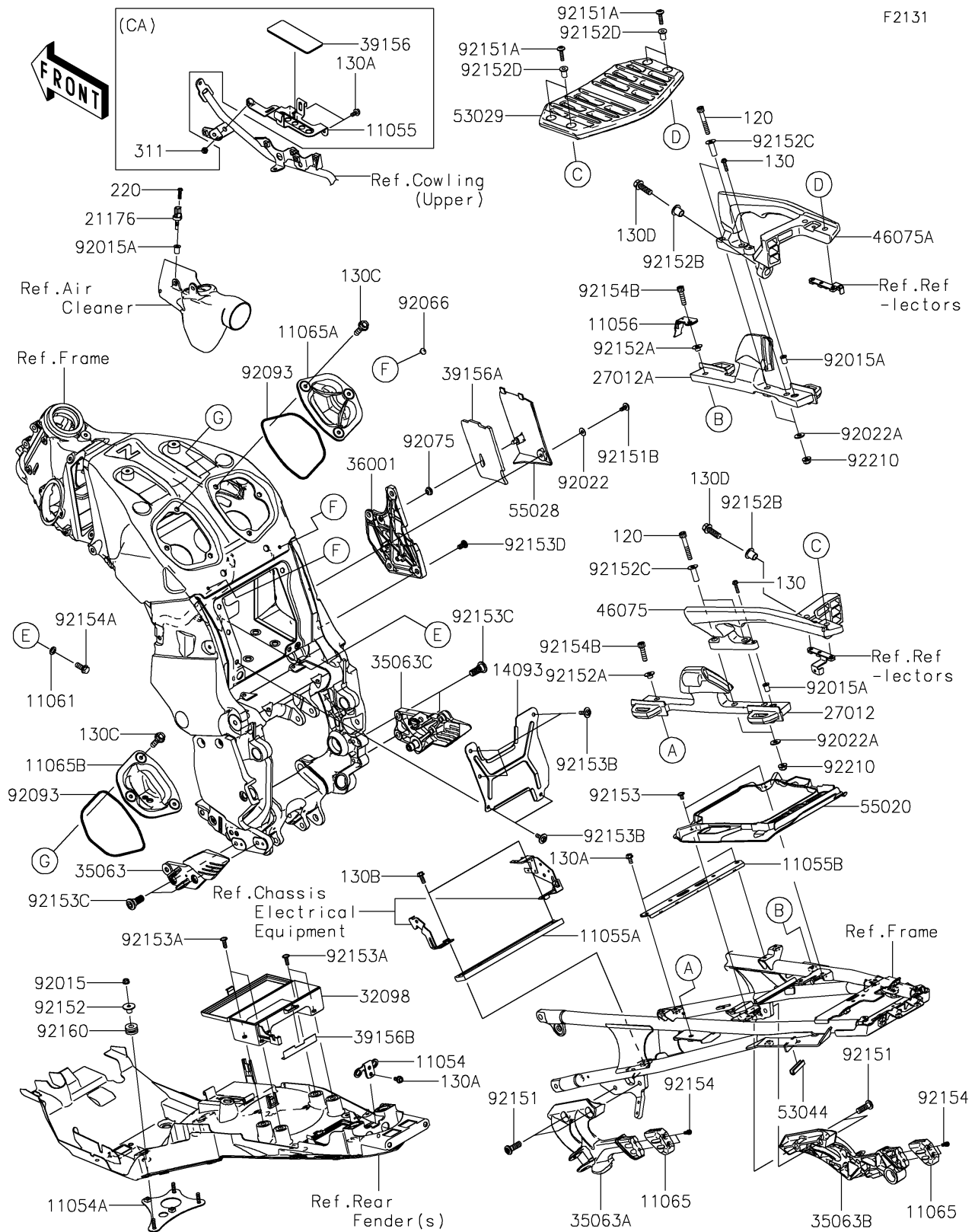


2020 CONCOURS®14 ABS

PARTS DIAGRAM

Frame Fittings



2020 CONCOURS®14 ABS

PARTS LIST Frame Fittings



ITEM NAME	PART NUMBER	QUANTITY
-----------	-------------	----------
