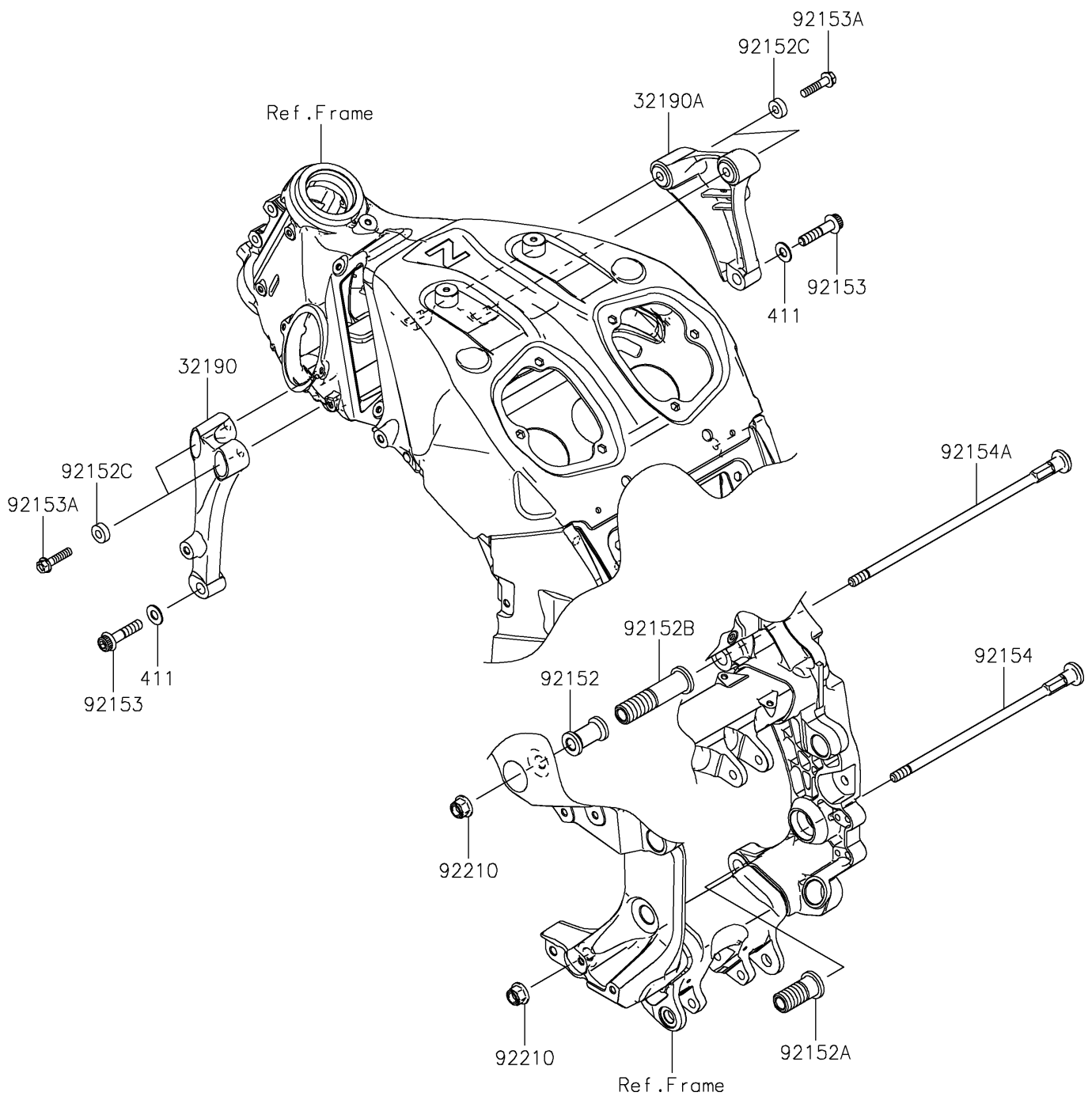


# 2020 CONOURS®14 ABS

## PARTS DIAGRAM

### Engine Mount

F2122



# 2020 CONCOURS®14 ABS

## PARTS LIST Engine Mount



ITEM NAME	PART NUMBER	QUANTITY
-----------	-------------	----------

---