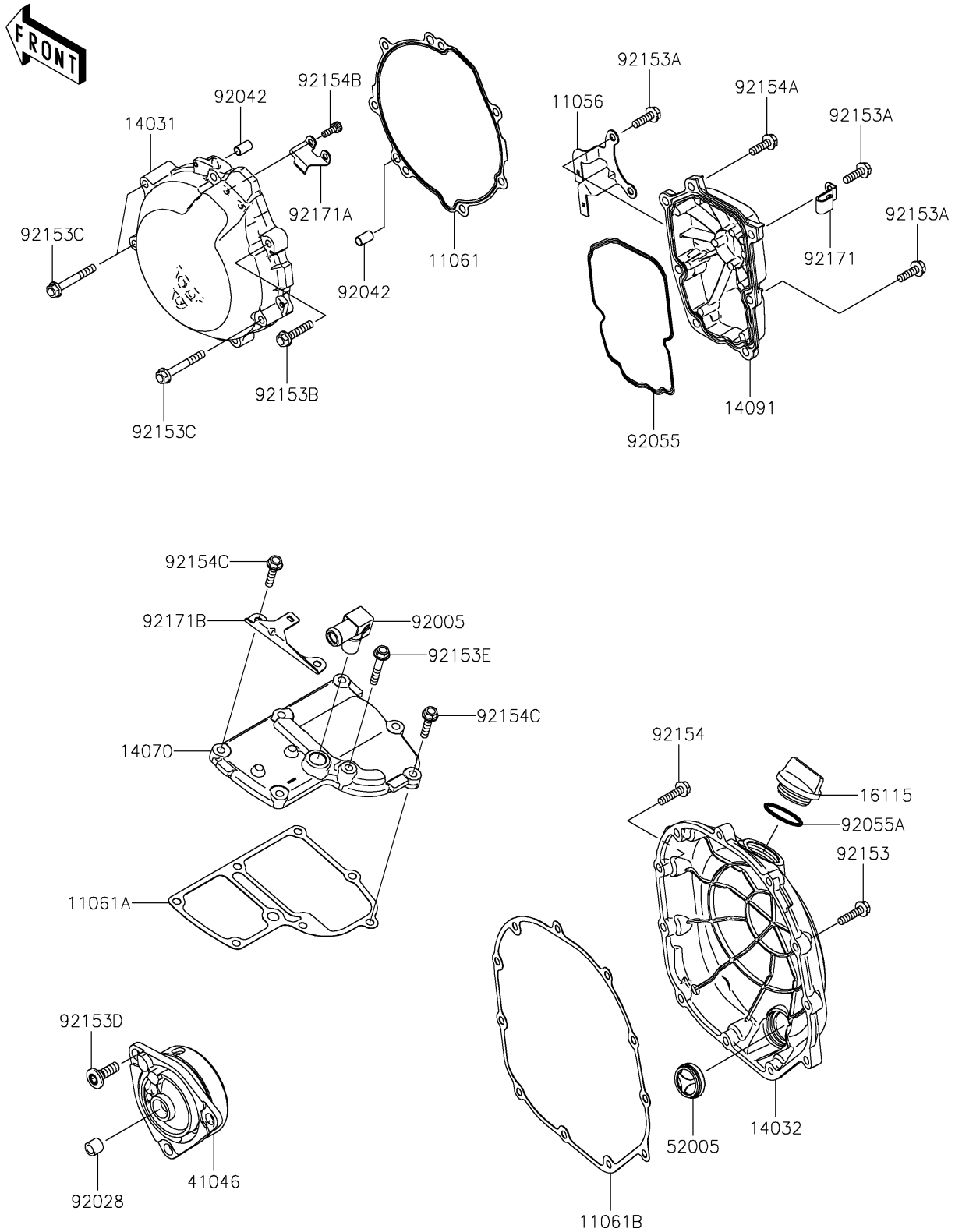


2020 CONCOURS®14 ABS

PARTS DIAGRAM

Engine Cover(s)

E1431



2020 CONCOURS®14 ABS

PARTS LIST

Engine Cover(s)

ITEM NAME	PART NUMBER	QUANTITY
-----------	-------------	----------
