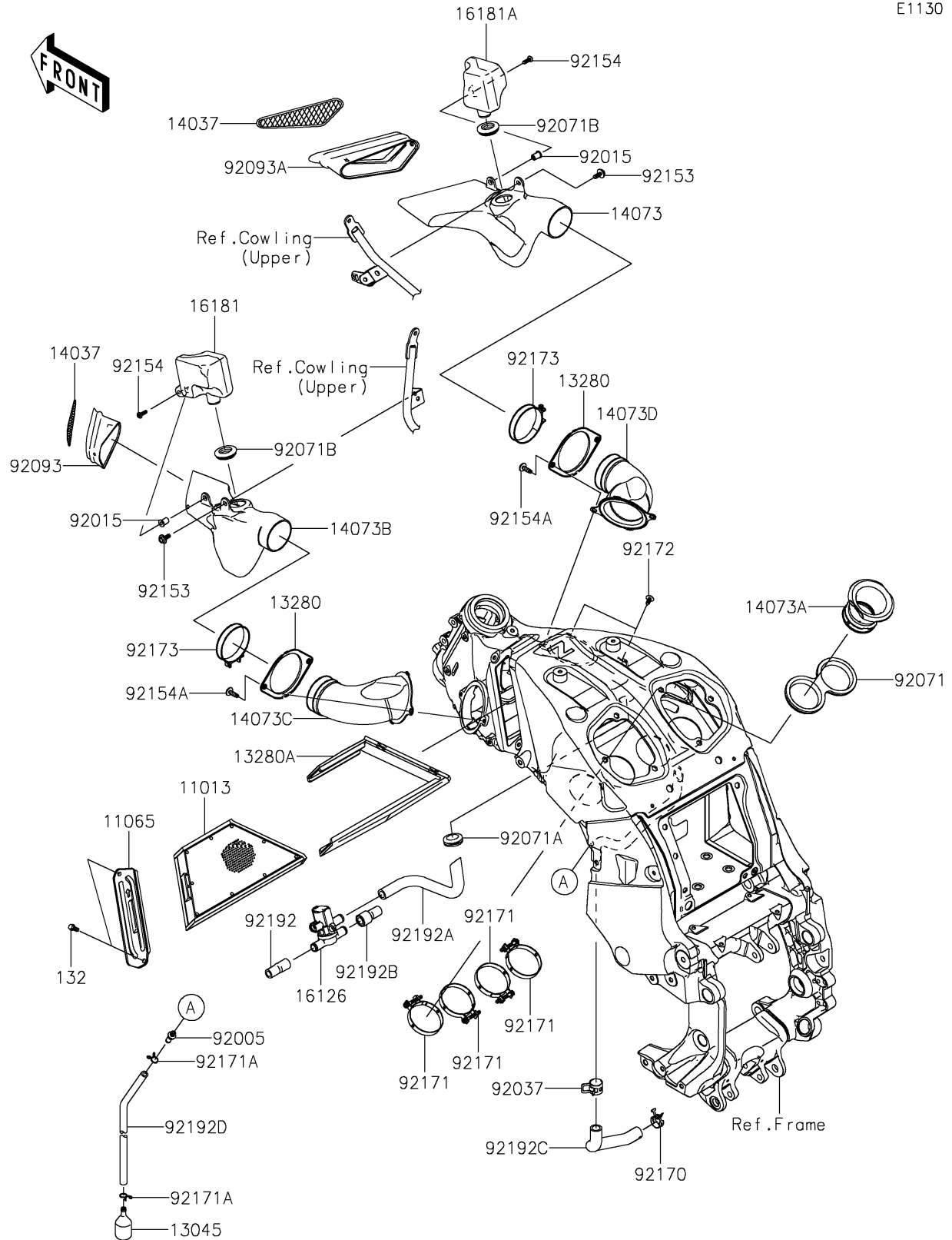


2020 CONCOURS®14 ABS

PARTS DIAGRAM

Air Cleaner

E1130



2020 CONCOURS®14 ABS

PARTS LIST

Air Cleaner

ITEM NAME

PART NUMBER

QUANTITY
