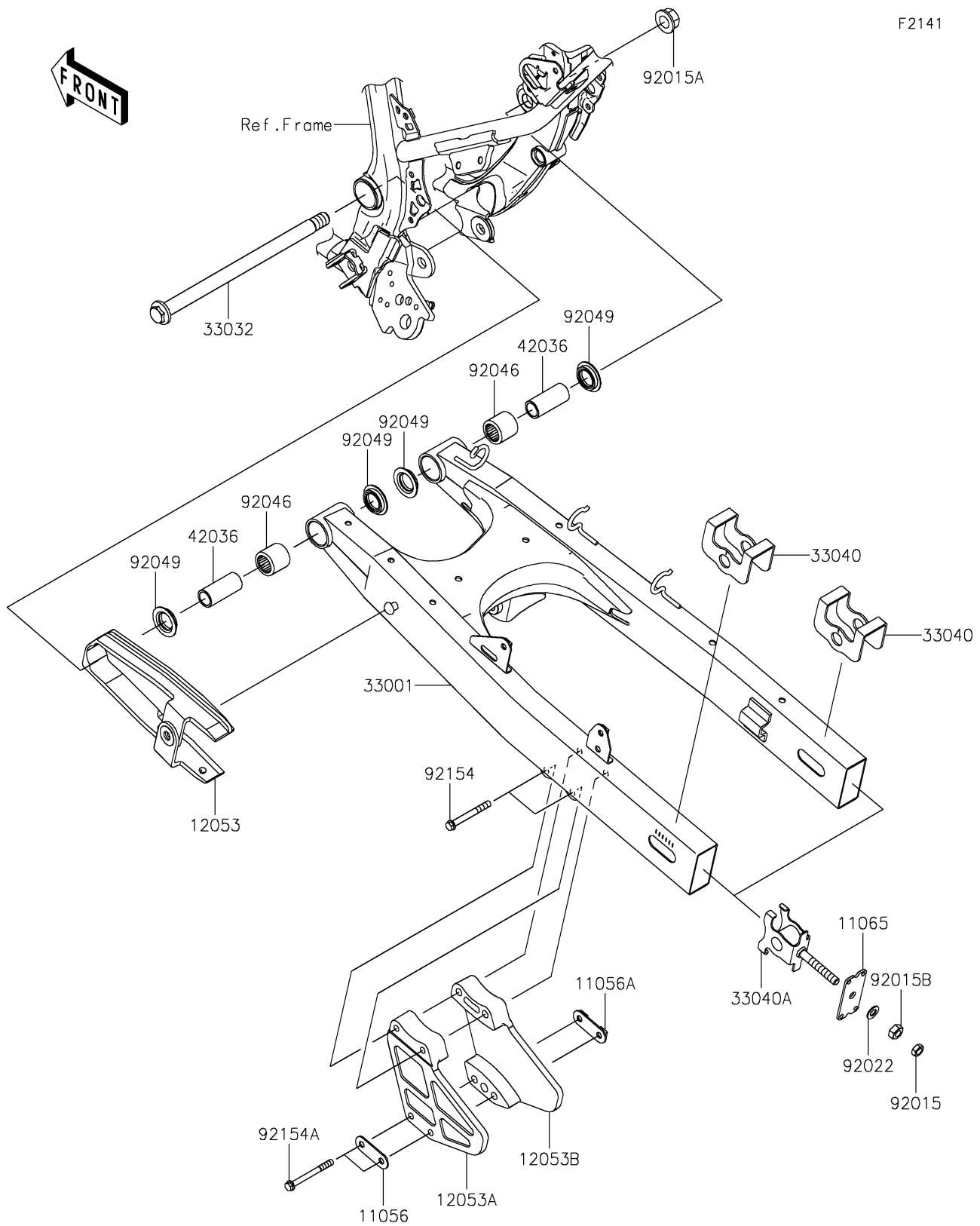


2020 KLX[®] 230 ABS

PARTS DIAGRAM

Swingarm



F2141

2020 KLX[®] 230 ABS

PARTS LIST

Swingarm

ITEM NAME	PART NUMBER	QUANTITY
BRACKET (Ref # 11056)	11056-2395	1
BRACKET,WITH NUT (Ref # 11056A)	11056-2396	1
CAP (Ref # 11065)	11065-1309	2
GUIDE-CHAIN,FR (Ref # 12053)	12053-0286	1
GUIDE-CHAIN,RR,OUTSIDE (Ref # 12053A)	12053-0287	1
GUIDE-CHAIN,RR,INSIDE (Ref # 12053B)	12053-0288	1
ARM-COMP-SWING,P.SILVER (Ref # 33001)	33001-0712-458	1
SHAFT-SWING ARM,15X243 (Ref # 33032)	33032-0061	1
ADJUSTER-CHAIN,OUTSIDE (Ref # 33040)	33040-0092	2
ADJUSTER-CHAIN,INSIDE (Ref # 33040A)	33040-0093	2
SLEEVE,15X20X46 (Ref # 42036)	42036-0831	2
NUT,8MM (Ref # 92015)	92015-1364	2
NUT,14MM (Ref # 92015A)	92015-1407	1
NUT,8MM (Ref # 92015B)	92015-1658	2
WASHER,8.5X16X1.2 (Ref # 92022)	92022-1582	2
BEARING-NEEDLE,BM202726 (Ref # 92046)	92046-1110	2
SEAL-OIL,ARM (Ref # 92049)	92049-1109	4
BOLT,FLANGED,6X55 (Ref # 92154)	92154-1190	2
BOLT,FLANGED,6X60 (Ref # 92154A)	92154-2762	2