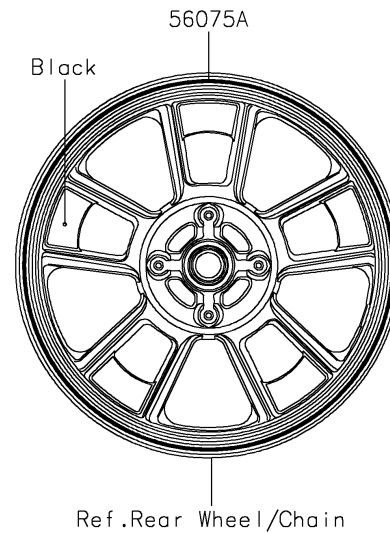
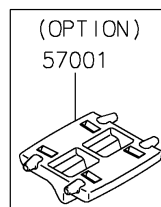
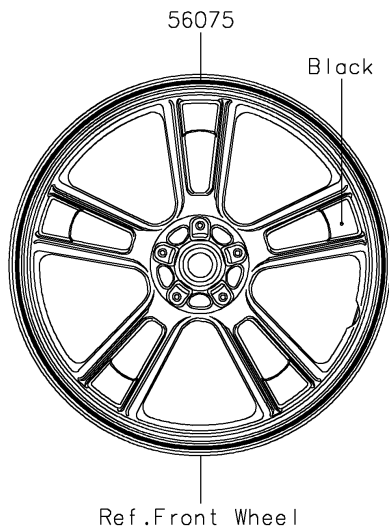
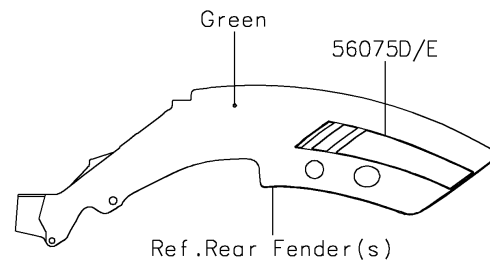
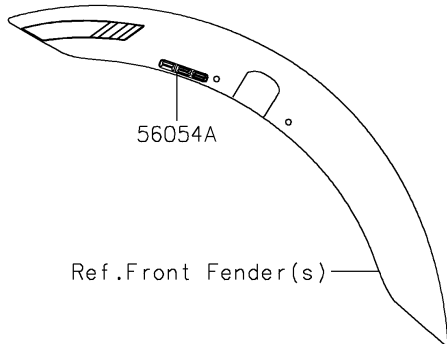
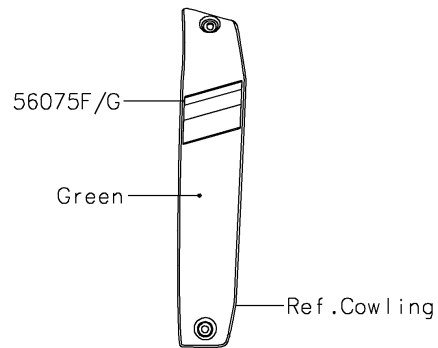
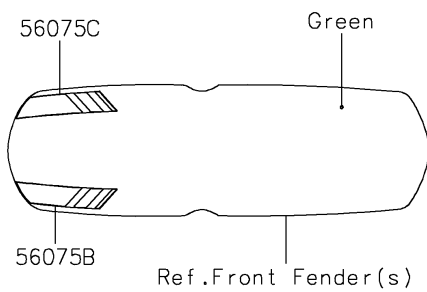
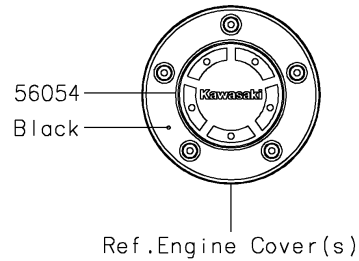


# 2019 VULCAN® S ABS

## PARTS DIAGRAM

### Decals(Green)(DKFA)

F2861A



# 2019 VULCAN® S ABS

## PARTS LIST

Decals(Green)(DKFA)

**ITEM NAME**

**PART NUMBER**

**QUANTITY**

---