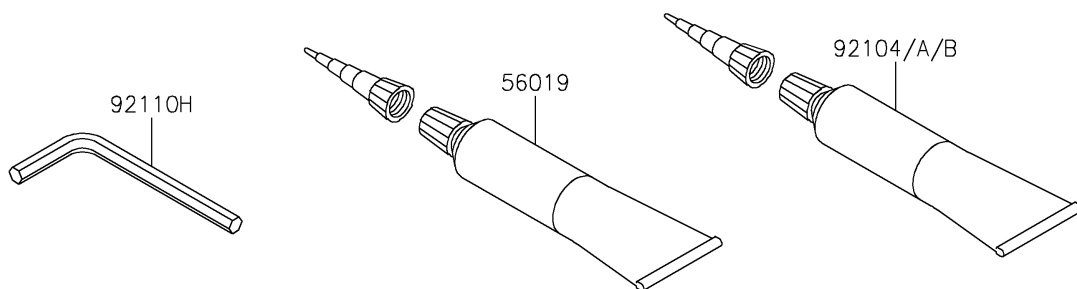
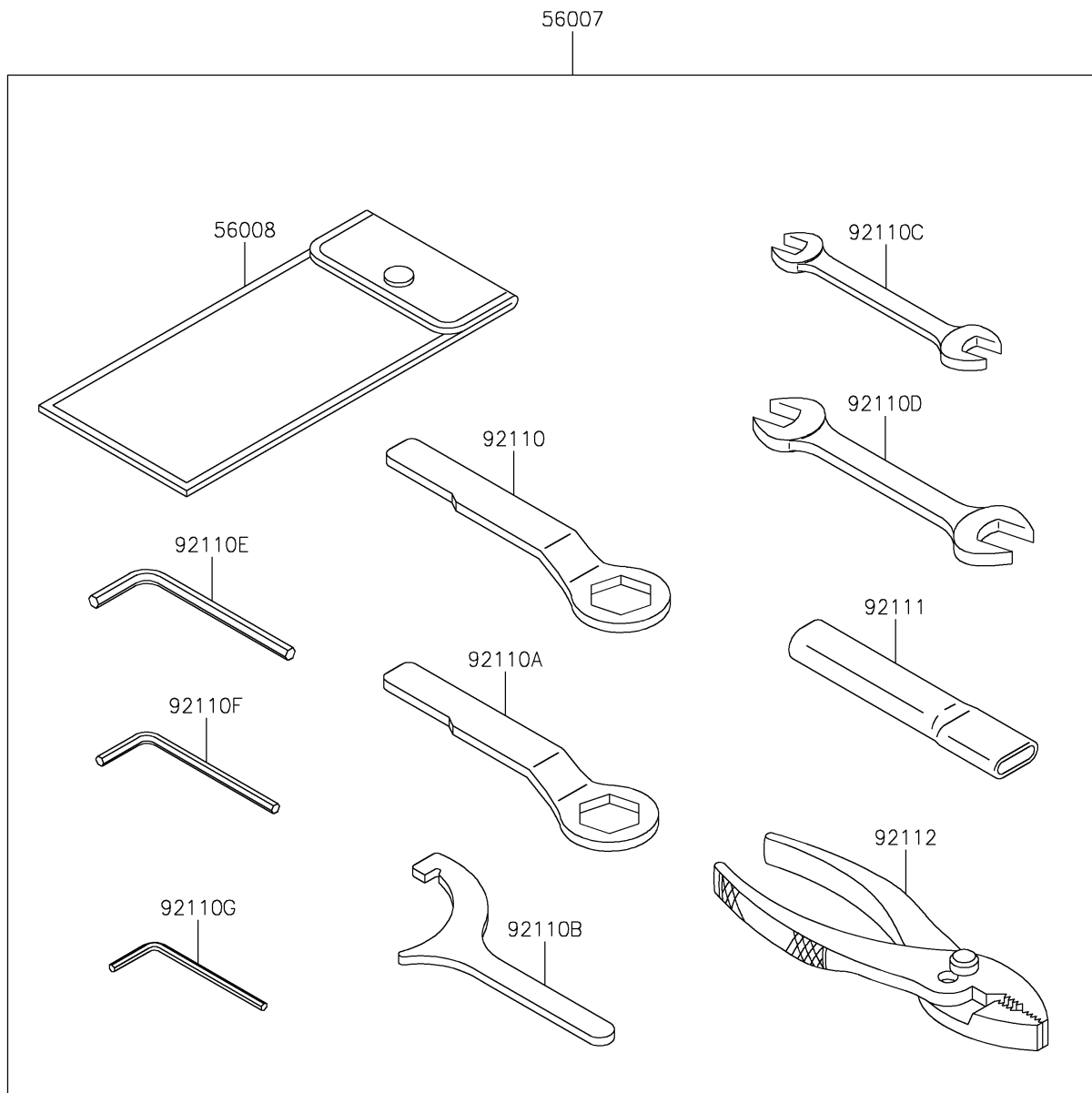


# 2020 VULCAN® S ABS SE

## PARTS DIAGRAM

### Owner's Tools

F2810



# 2020 VULCAN® S ABS SE

## PARTS LIST

Owner's Tools

**ITEM NAME**

**PART NUMBER**

**QUANTITY**

---