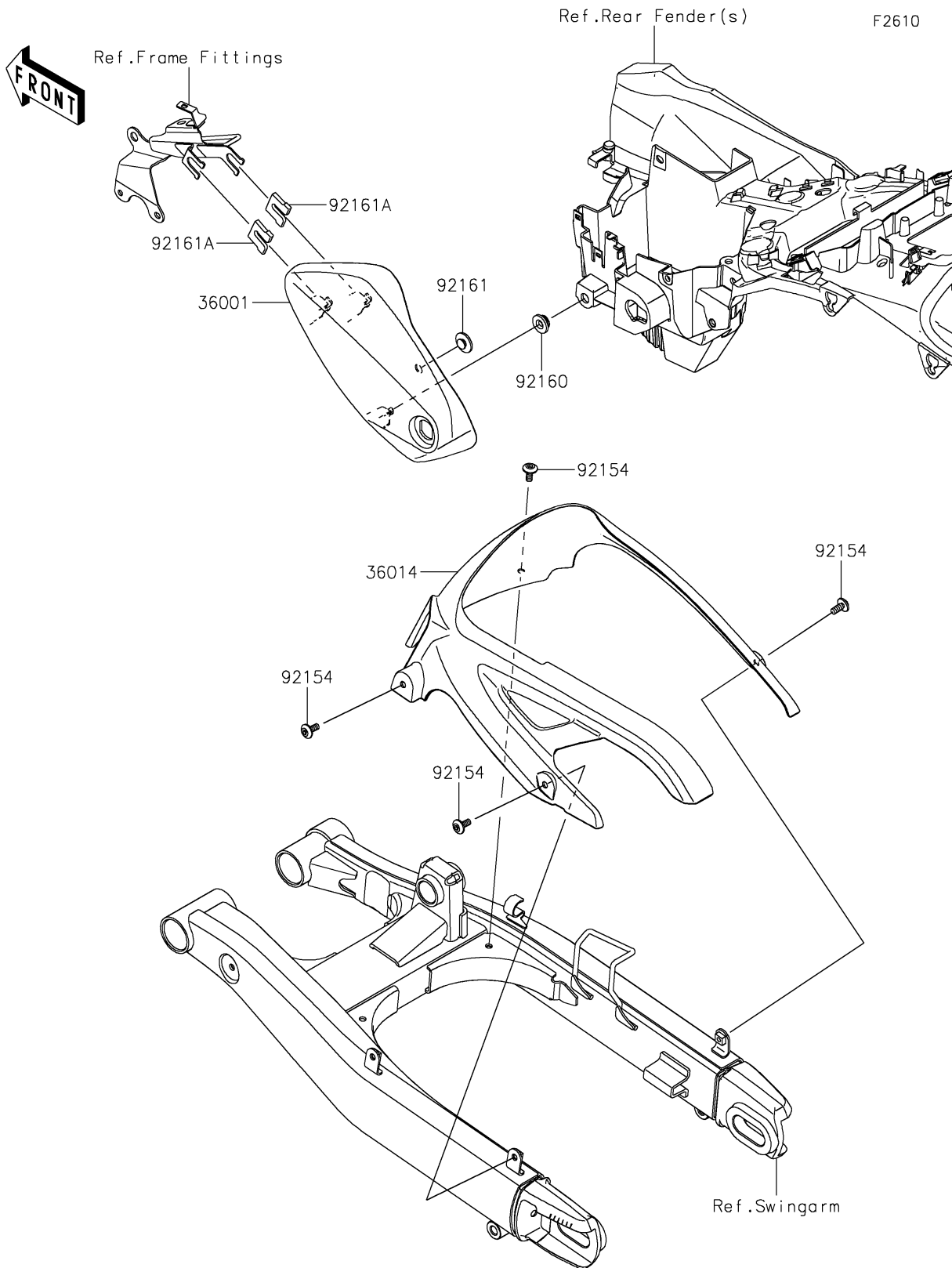


2019 VULCAN® S ABS

PARTS DIAGRAM

Side Covers/Chain Cover



2019 VULCAN[®] S ABS

PARTS LIST

Side Covers/Chain Cover

ITEM NAME

PART NUMBER

QUANTITY
