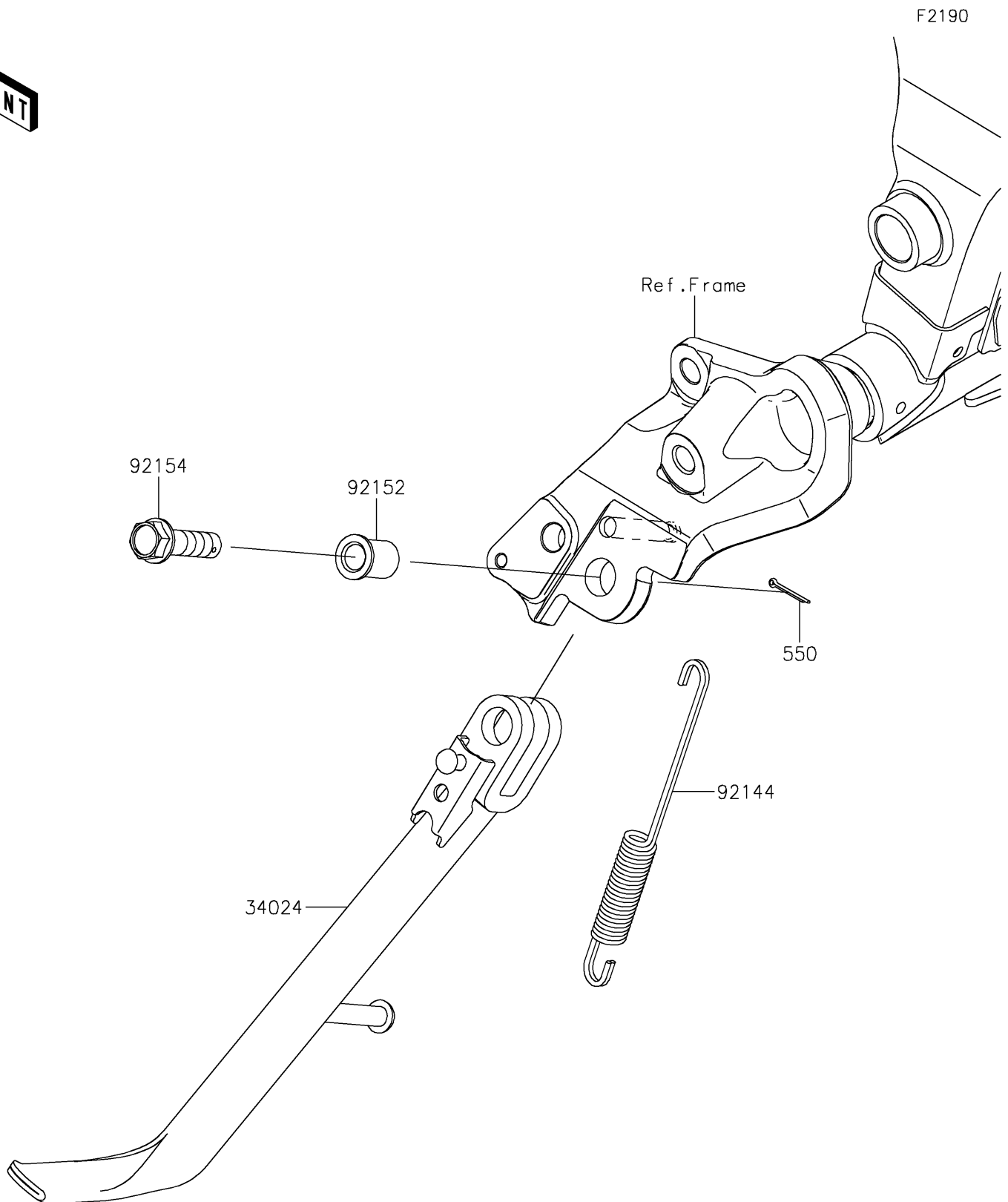


# 2020 VULCAN® S ABS SE

## PARTS DIAGRAM

Stand(s)



# 2020 VULCAN<sup>®</sup> S ABS SE

## PARTS LIST

Stand(s)

**ITEM NAME**

**PART NUMBER**

**QUANTITY**

---