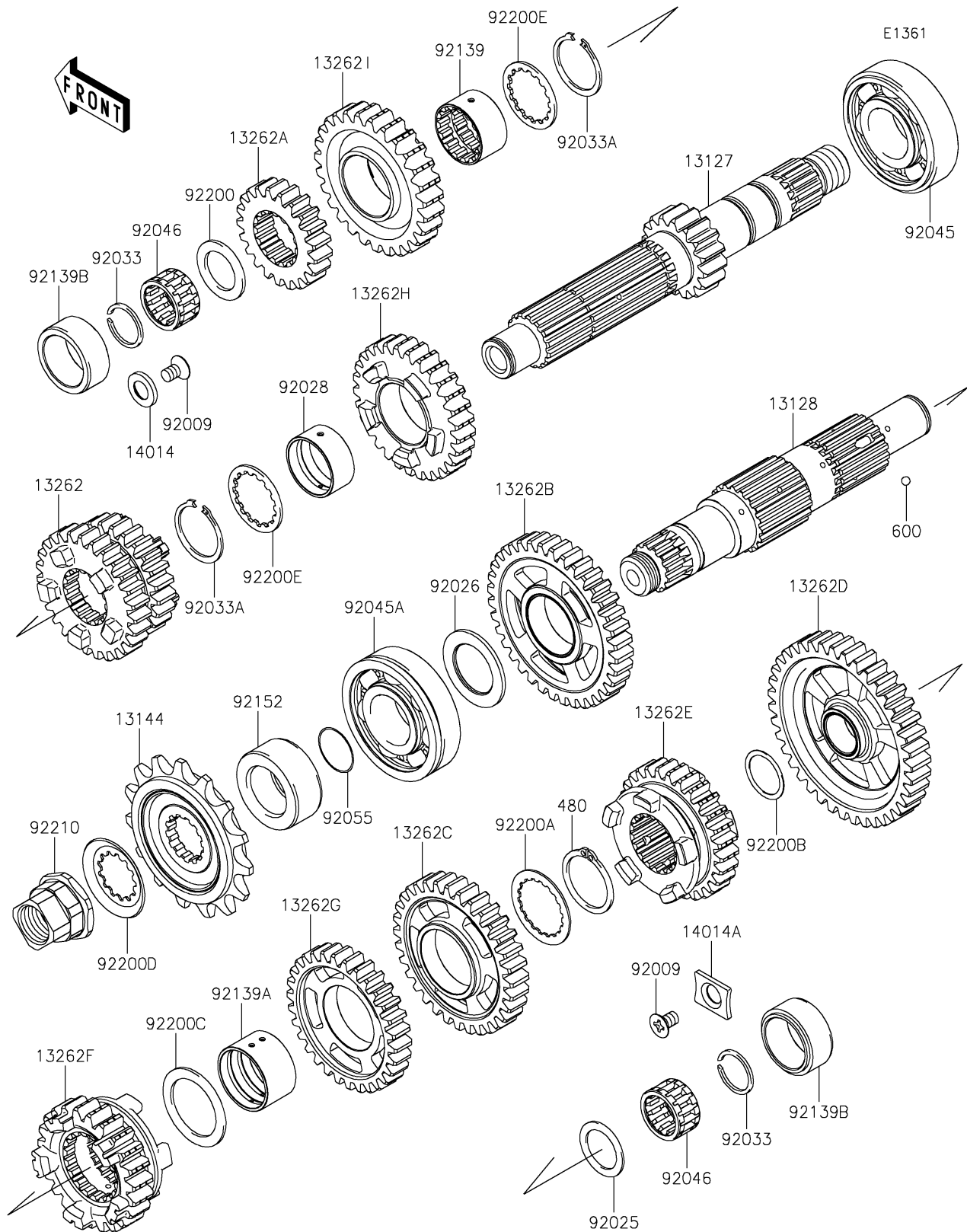


# 2019 VULCAN® S ABS

## PARTS DIAGRAM

### Transmission



# 2019 VULCAN® S ABS

## PARTS LIST

### Transmission

**Kawasaki**

Let the Good Times Roll®

**ITEM NAME**

**PART NUMBER**

**QUANTITY**

---