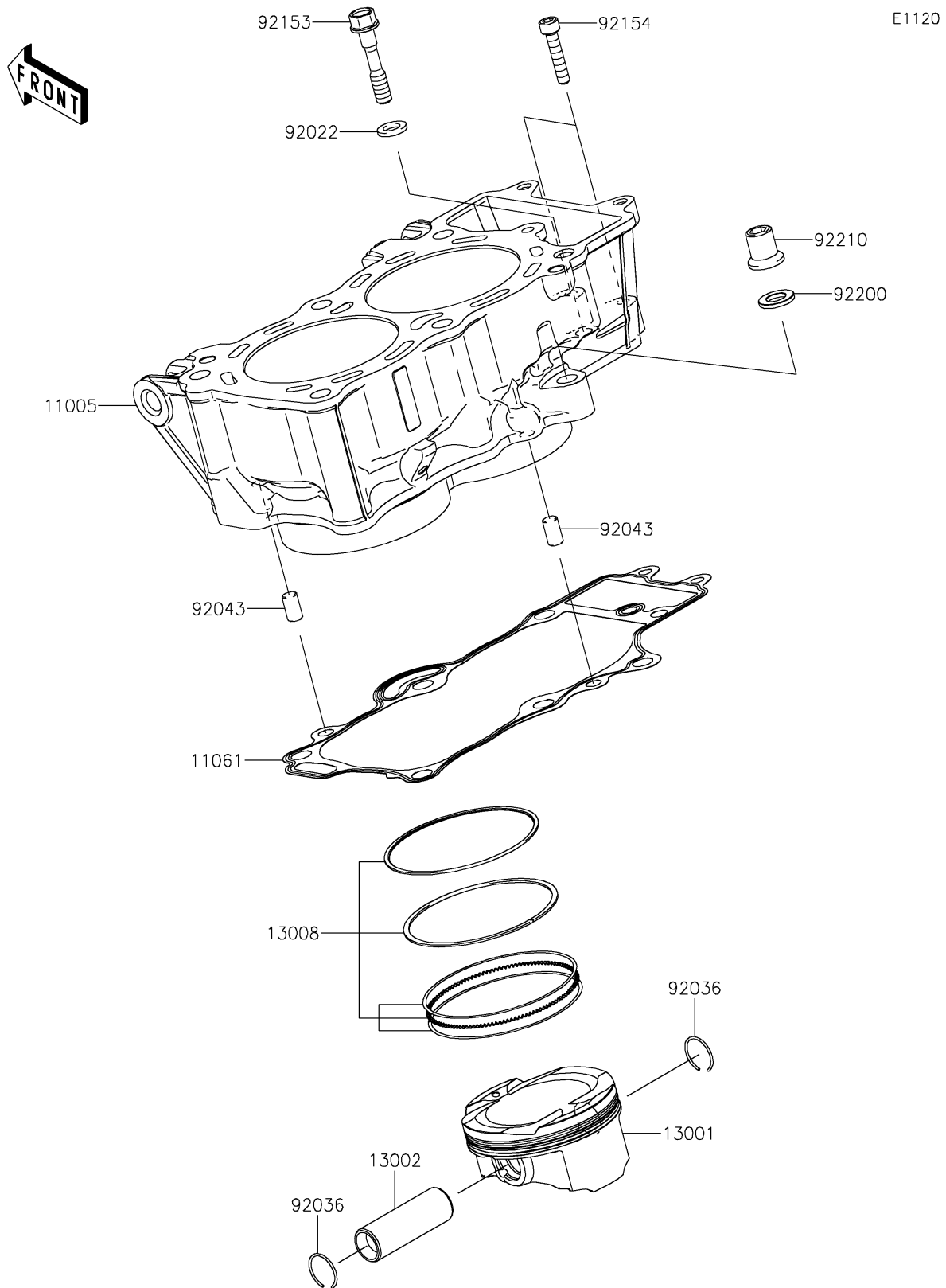


2020 VULCAN® S ABS SE

PARTS DIAGRAM

Cylinder/Piston(s)



2020 VULCAN[®] S ABS SE

PARTS LIST

Cylinder/Piston(s)

ITEM NAME

PART NUMBER

QUANTITY
