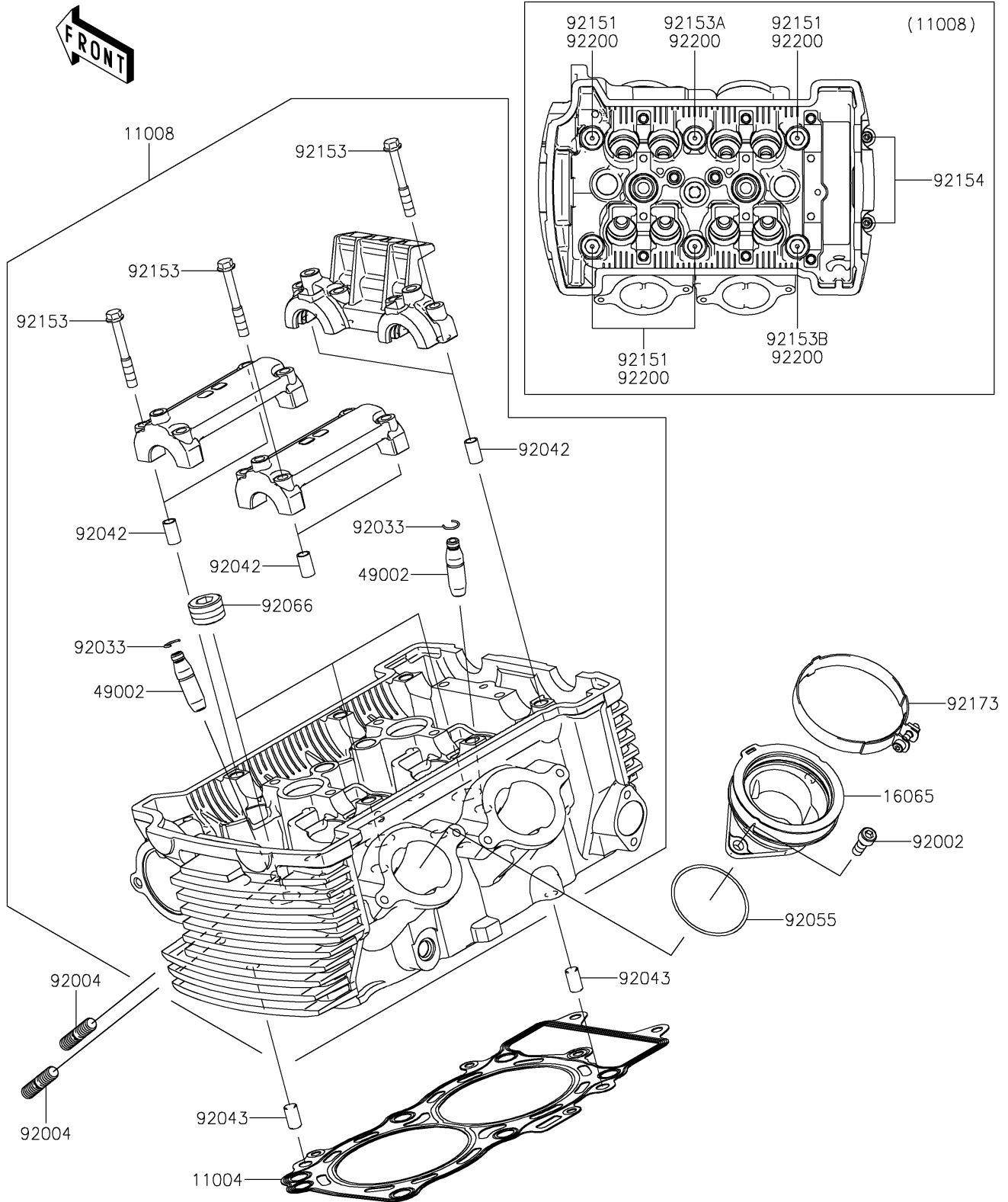


# 2019 VULCAN® S ABS

## PARTS DIAGRAM

### Cylinder Head

E1111



# 2019 VULCAN<sup>®</sup> S ABS

## PARTS LIST

### Cylinder Head

**ITEM NAME**

**PART NUMBER**

**QUANTITY**

---