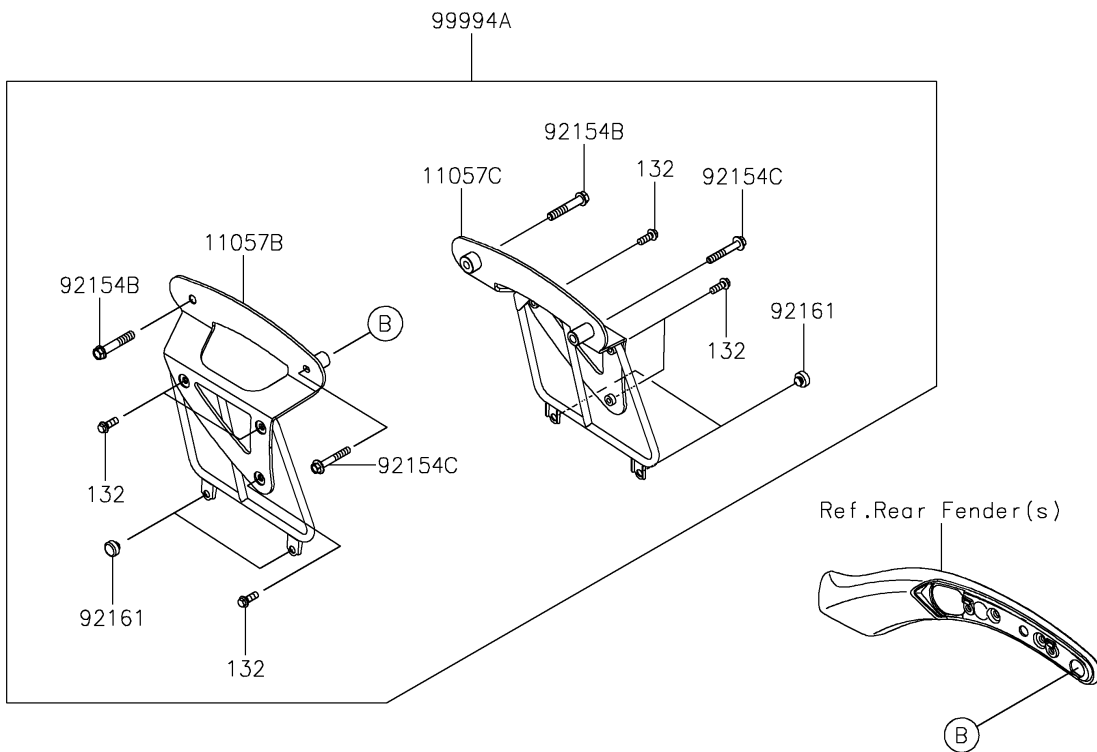
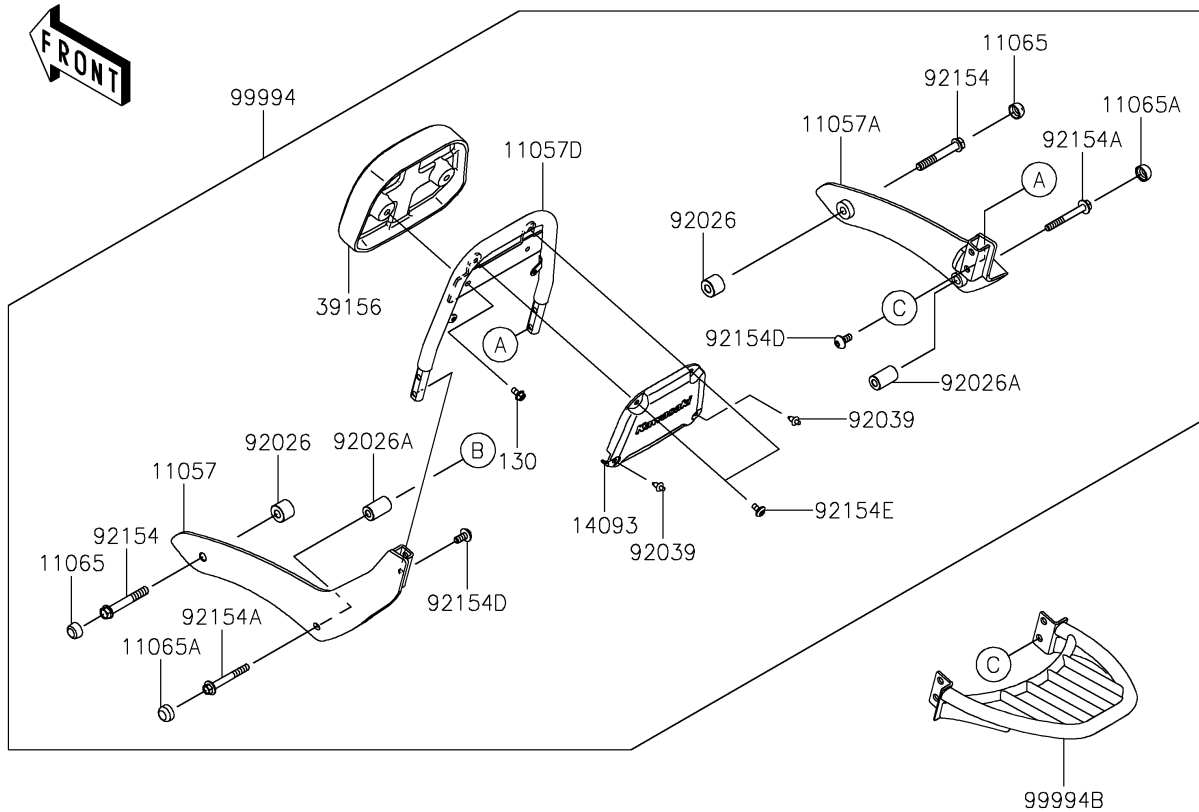


# 2020 VULCAN® S ABS CAFE

## PARTS DIAGRAM

### Accessory(Passenger Backrest)

F2910M



# 2020 VULCAN® S ABS CAFE

## PARTS LIST

Accessory(Passenger Backrest)

**ITEM NAME**

**PART NUMBER**

**QUANTITY**

---