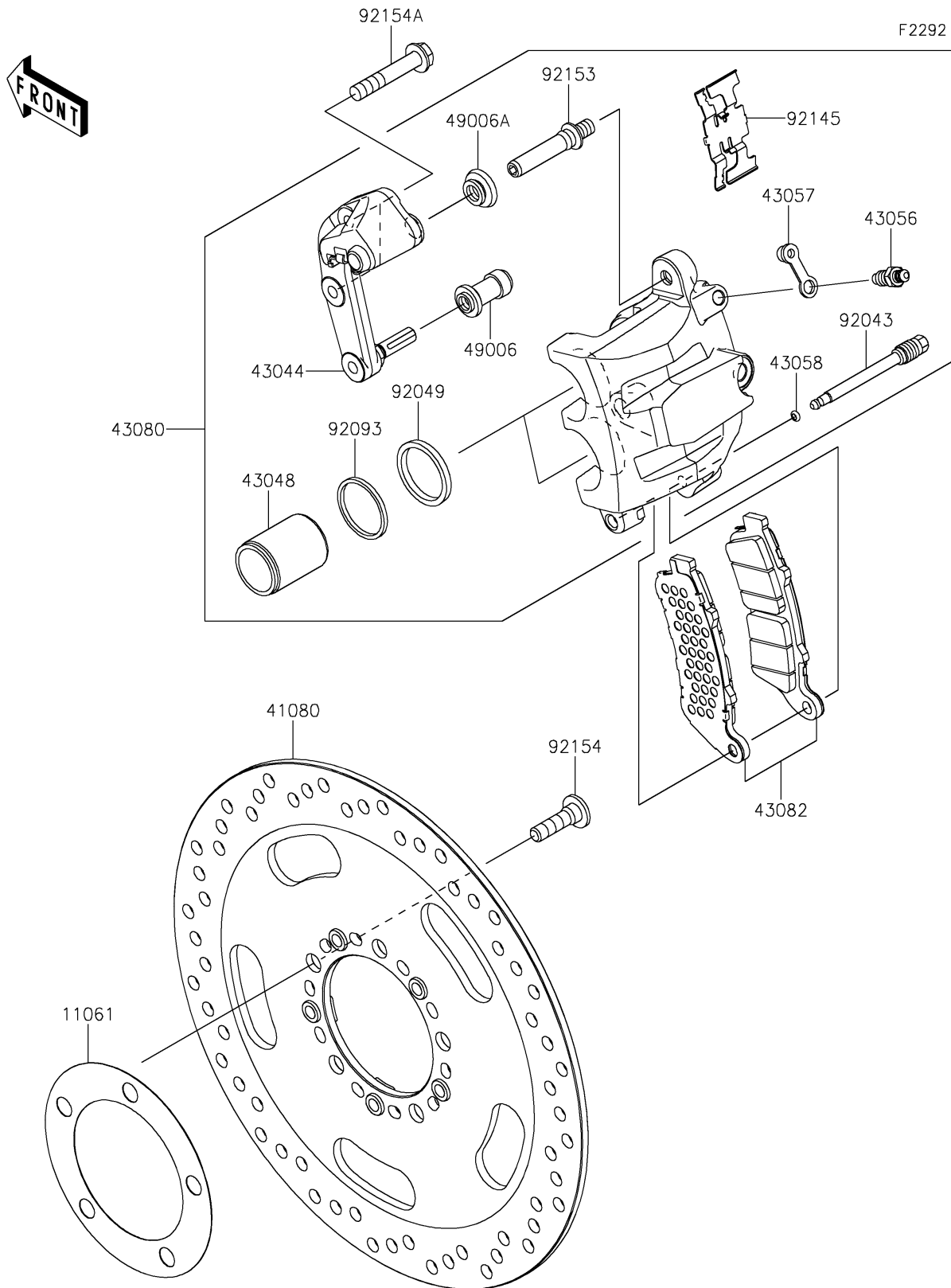


# 2019 VULCAN® S ABS CAFE

## PARTS DIAGRAM

### Front Brake



# 2019 VULCAN® S ABS CAFE

## PARTS LIST

### Front Brake

**ITEM NAME**

**PART NUMBER**

**QUANTITY**

---