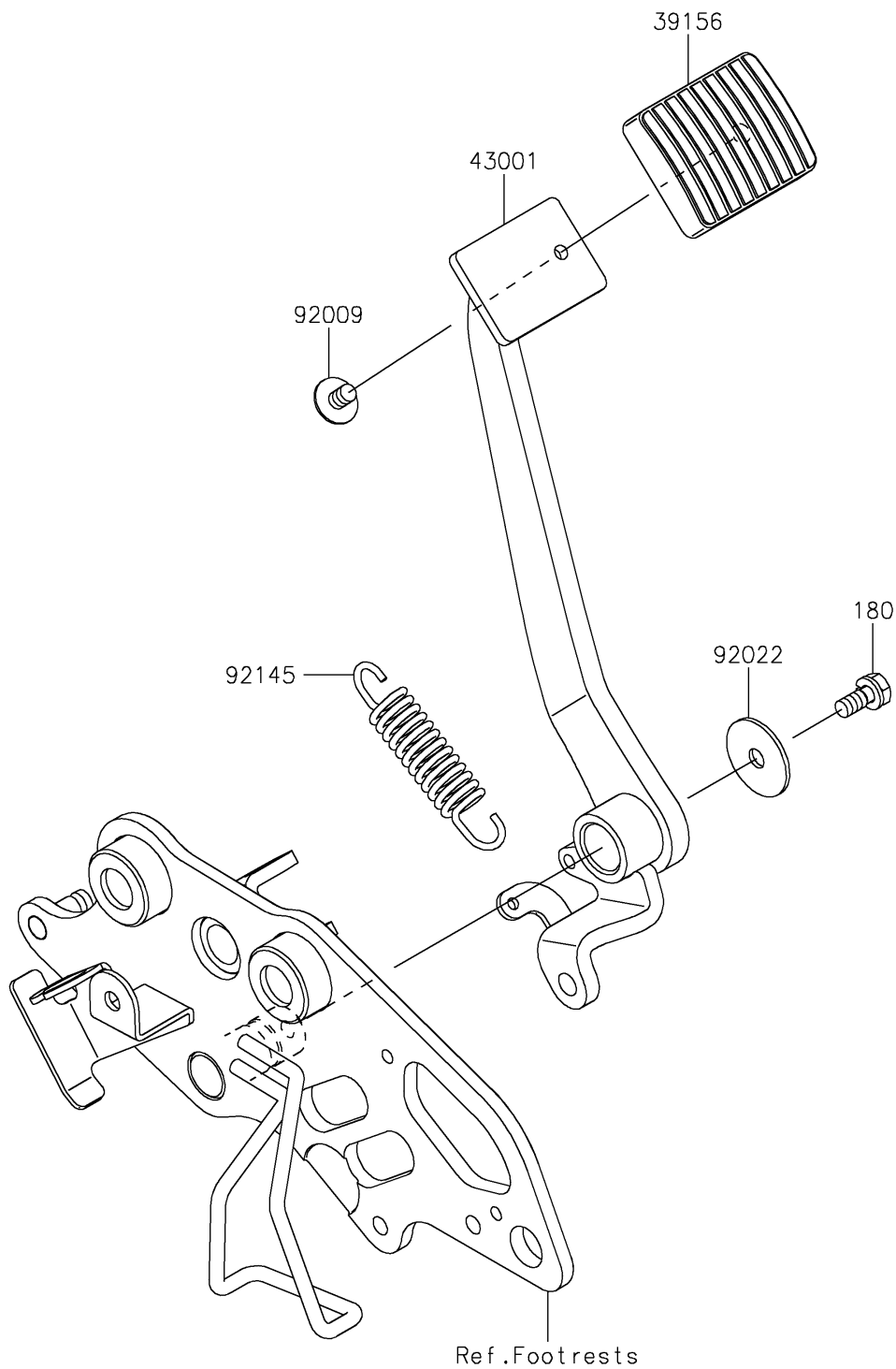


# 2019 VULCAN® S ABS CAFE

## PARTS DIAGRAM

### Brake Pedal/Torque Link

F2260



# 2019 VULCAN® S ABS CAFE

## PARTS LIST

### Brake Pedal/Torque Link

| ITEM NAME | PART NUMBER | QUANTITY |
|-----------|-------------|----------|
|-----------|-------------|----------|

---