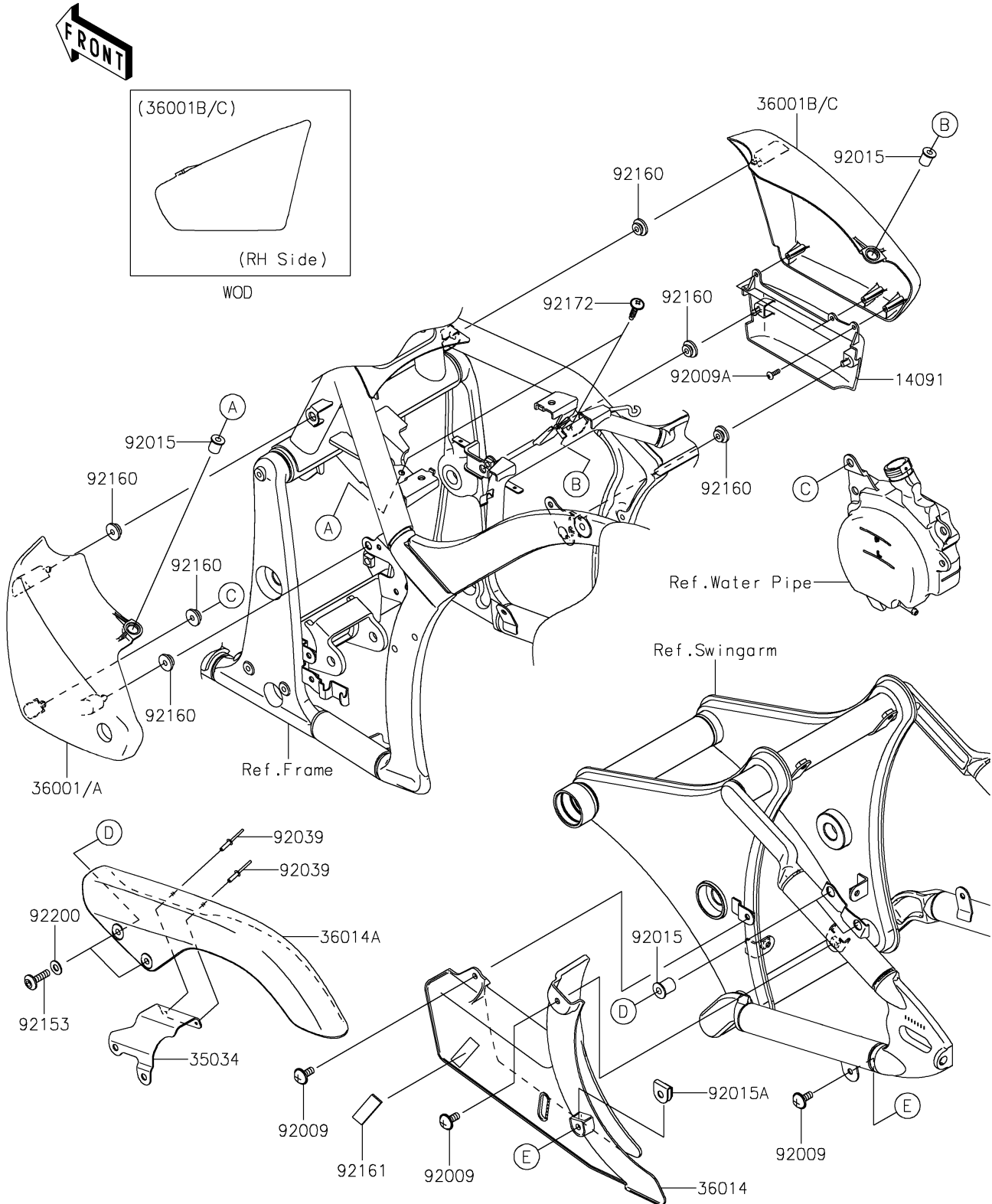


# 2020 VULCAN® 900 CLASSIC

## PARTS DIAGRAM

### Side Covers/Chain Cover

F2610



# 2020 VULCAN® 900 CLASSIC

## PARTS LIST

### Side Covers/Chain Cover

| ITEM NAME                               | PART NUMBER    | QUANTITY |
|---|----------------|----------|
| COVER,SIDE COVER,RH (Ref # 14091)       | 14091-0641     | 1        |
| REINFORCE (Ref # 35034)                 | 35034-0082     | 1        |
| COVER-SIDE,LH,M.M.C.GRAY (Ref # 36001)  | 36001-0081-51B | 1        |
| COVER-SIDE,RH,M.M.C.GRAY (Ref # 36001B) | 36001-0082-51B | 1        |
| CASE-CHAIN,LWR (Ref # 36014)            | 36014-0031     | 1        |
| CASE-CHAIN,UPP (Ref # 36014A)           | 36014-0052     | 1        |
| SCREW,6X14 (Ref # 92009)                | 92009-1662     | 3        |
| SCREW,TAPPING,4X14 (Ref # 92009A)       | 92009-1792     | 3        |
| NUT (Ref # 92015)                       | 92015-1700     | 4        |
| NUT,CLIP,6MM (Ref # 92015A)             | 92015-1904     | 1        |
| RIVET (Ref # 92039)                     | 92039-1251     | 2        |
| BOLT,SOCKET,6X22 (Ref # 92153)          | 92153-1356     | 2        |
| DAMPER (Ref # 92160)                    | 92160-1613     | 6        |
| DAMPER (Ref # 92161)                    | 92161-0124     | 1        |
| SCREW,6X26 (Ref # 92172)                | 92172-0137     | 2        |
| WASHER,6.5X14X1 (Ref # 92200)           | 92200-1388     | 2        |