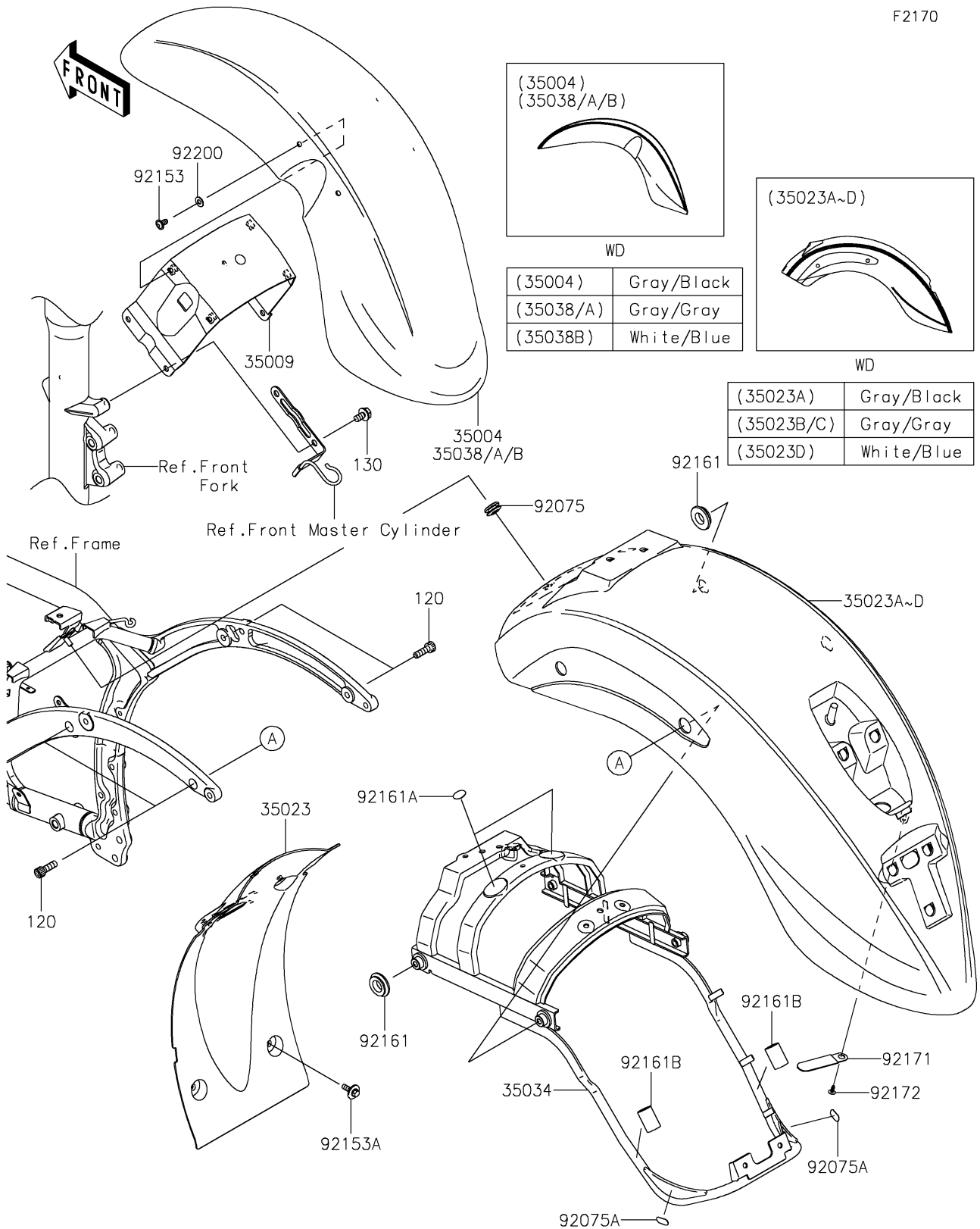


# 2020 VULCAN® 900 CLASSIC

## PARTS DIAGRAM

### Fenders

F2170



# 2020 VULCAN® 900 CLASSIC

## PARTS LIST

### Fenders

ITEM NAME	PART NUMBER	QUANTITY
BOLT-SOCKET,8X25 (Ref # 120)	120CA0825	4
BOLT-FLANGED,8X14 (Ref # 130)	130BB0814	4
BRACE,FRONT FENDER (Ref # 35009)	35009-0014	1
FENDER-REAR,INNER (Ref # 35023)	35023-0073	1
FENDER-REAR,P.B.WHITE+BLU (Ref # 35023D)	35023-5325-65H	1
REINFORCE,REAR FENDER (Ref # 35034)	35034-0090	1
FENDER-FRONT,P.B.WHITE+BLU (Ref # 35038B)	35038-5104-65H	1
DAMPER (Ref # 92075)	92075-1067	1
DAMPER (Ref # 92075A)	92075-1841	2
BOLT,SOCKET,6X16 (Ref # 92153)	92153-0817	4
BOLT,6X20 (Ref # 92153A)	92153-1599	4
DAMPER (Ref # 92161)	92161-0375	2
DAMPER (Ref # 92161A)	92161-0406	2
DAMPER (Ref # 92161B)	92161-0459	2
CLAMP (Ref # 92171)	92171-0181	1
SCREW,TAPPING,4X10 (Ref # 92172)	92172-0172	1
WASHER,6.5X14X1 (Ref # 92200)	92200-1388	4