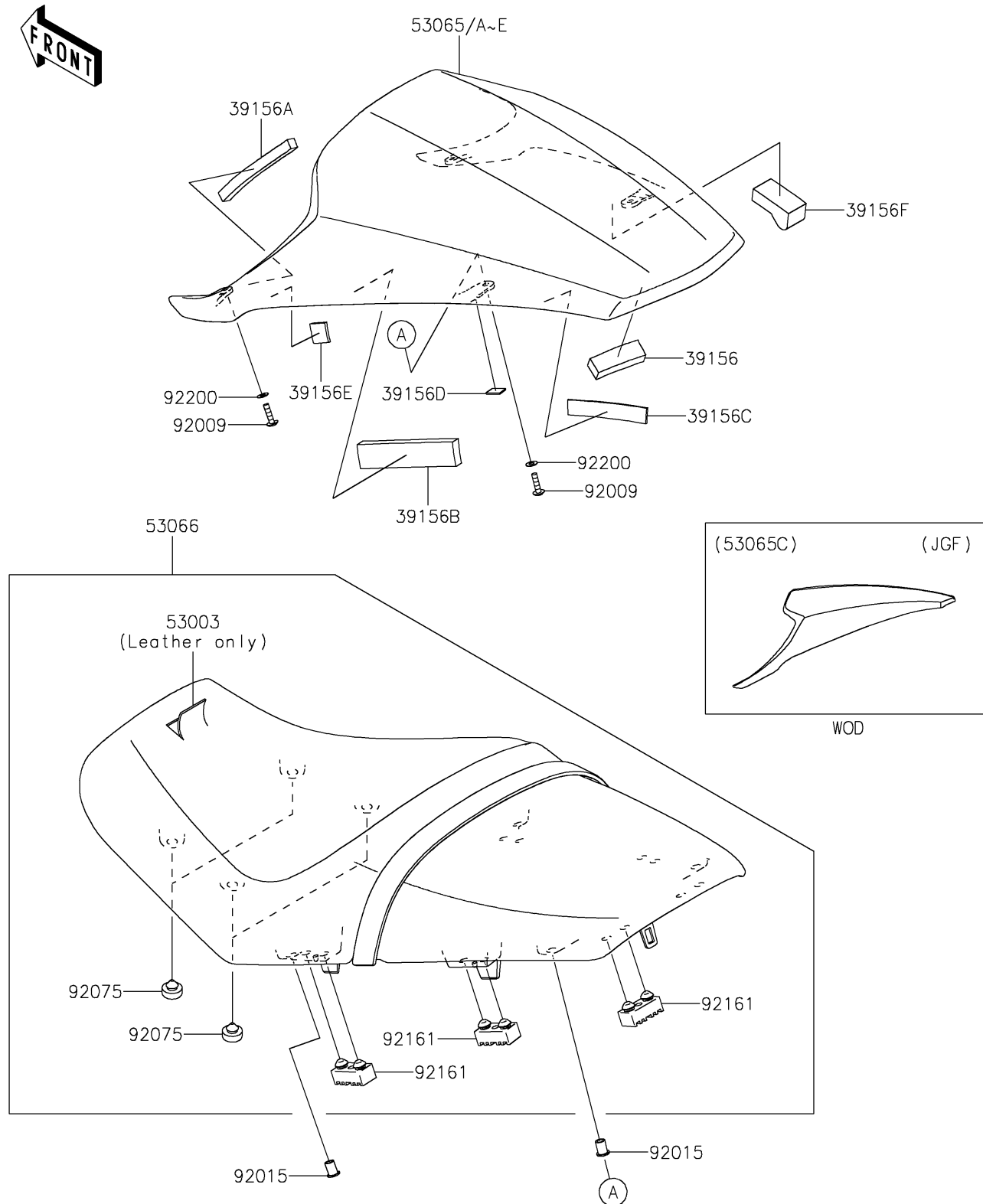


# 2018 NINJA® ZX™-14R ABS SE

## PARTS DIAGRAM

### Seat

F2510



# 2018 NINJA® ZX™ -14R ABS SE

## PARTS LIST

Seat

**ITEM NAME**

**PART NUMBER**

**QUANTITY**

---