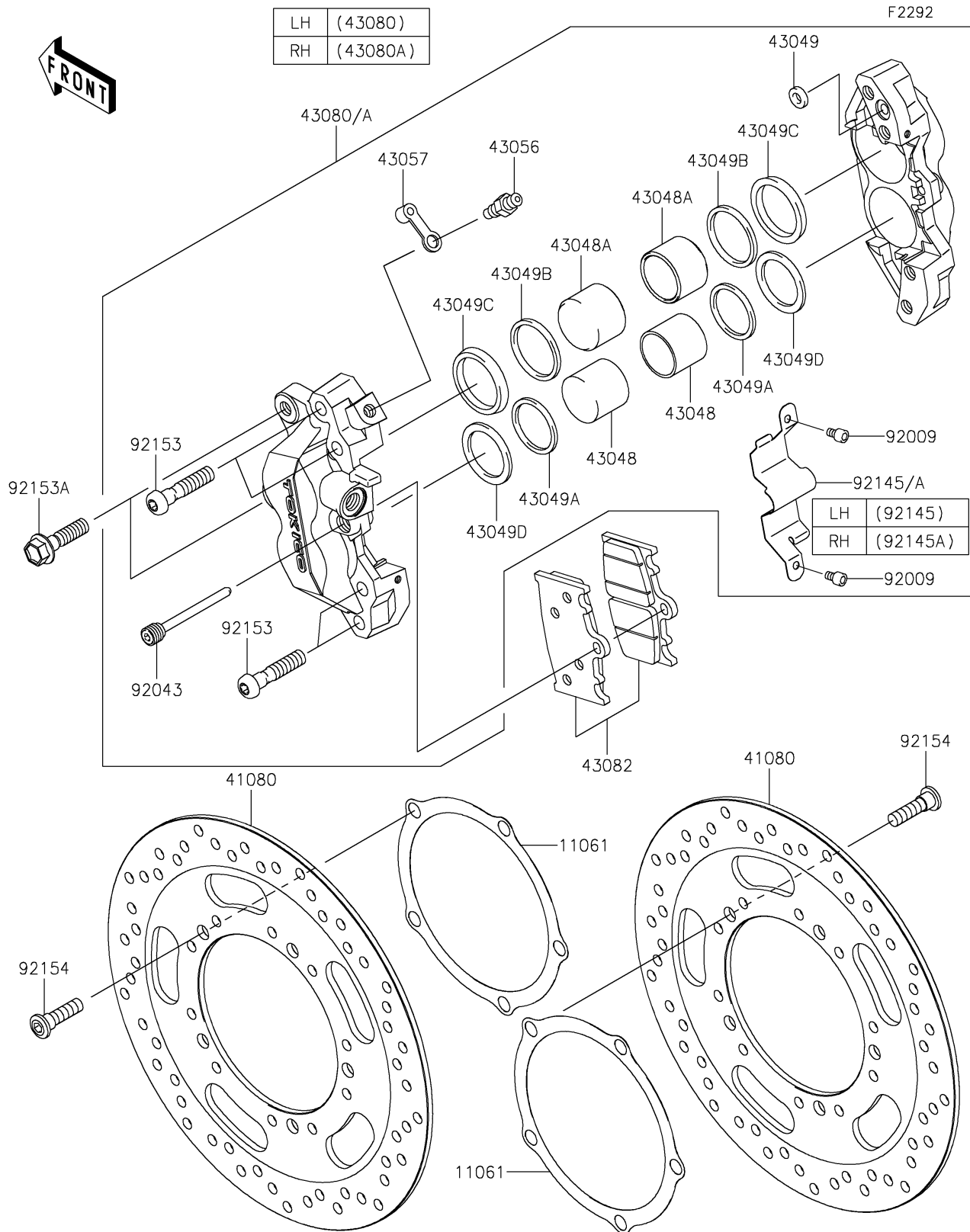


2019 VULCAN® 1700 VAQUERO® ABS

PARTS DIAGRAM

Front Brake



2019 VULCAN® 1700 VAQUERO® ABS

Kawasaki
Let the Good Times Roll®

PARTS LIST

Front Brake

| ITEM NAME | PART NUMBER | QUANTITY |
|---------------------------------------------|----------------|----------|
| GASKET,DISC PLATE (Ref # 11061) | 11061-0894 | 2 |
| DISC,FR,BLACK (Ref # 41080) | 41080-0181-11H | 2 |
| PISTON-CALIPER,DIA=26.97 (Ref # 43048) | 43048-1078 | 4 |
| PISTON-CALIPER,DIA=30.2 (Ref # 43048A) | 43048-1098 | 4 |
| PACKING,SEAL,6.5X11.5X2.2 (Ref # 43049) | 43049-1004 | 2 |
| PACKING,PISTON (Ref # 43049A) | 43049-1055 | 4 |
| PACKING (Ref # 43049B) | 43049-1068 | 4 |
| PACKING,PISTON SEAL (Ref # 43049C) | 43049-1092 | 4 |
| PACKING,PISTON SEAL (Ref # 43049D) | 43049-1096 | 4 |
| BREATHER-BRAKE (Ref # 43056) | 43056-0007 | 2 |
| CAP-BREATHER (Ref # 43057) | 43057-003 | 2 |
| CALIPER-SUB-ASSY,FR,LH,BLACK (Ref # 43080) | 43080-0073-DJ | 1 |
| CALIPER-SUB-ASSY,FR,RH,BLACK (Ref # 43080A) | 43080-0074-DJ | 1 |
| PAD-ASSY-BRAKE (Ref # 43082) | 43082-0016 | 2 |
| BOLT,SOCKET,4X6 (Ref # 92009) | 92009-1758 | 4 |
| PIN,PAD (Ref # 92043) | 92043-1683 | 2 |
| SPRING,COVER,LH (Ref # 92145) | 92145-1503 | 1 |
| SPRING,COVER,RH (Ref # 92145A) | 92145-1504 | 1 |
| BOLT,SOCKET,8X40 (Ref # 92153) | 92153-0360 | 8 |
| BOLT,FLANGED,8X30 (Ref # 92153A) | 92153-1089 | 4 |
| BOLT,SOCKET,8X30 (Ref # 92154) | 92154-1865 | 10 |