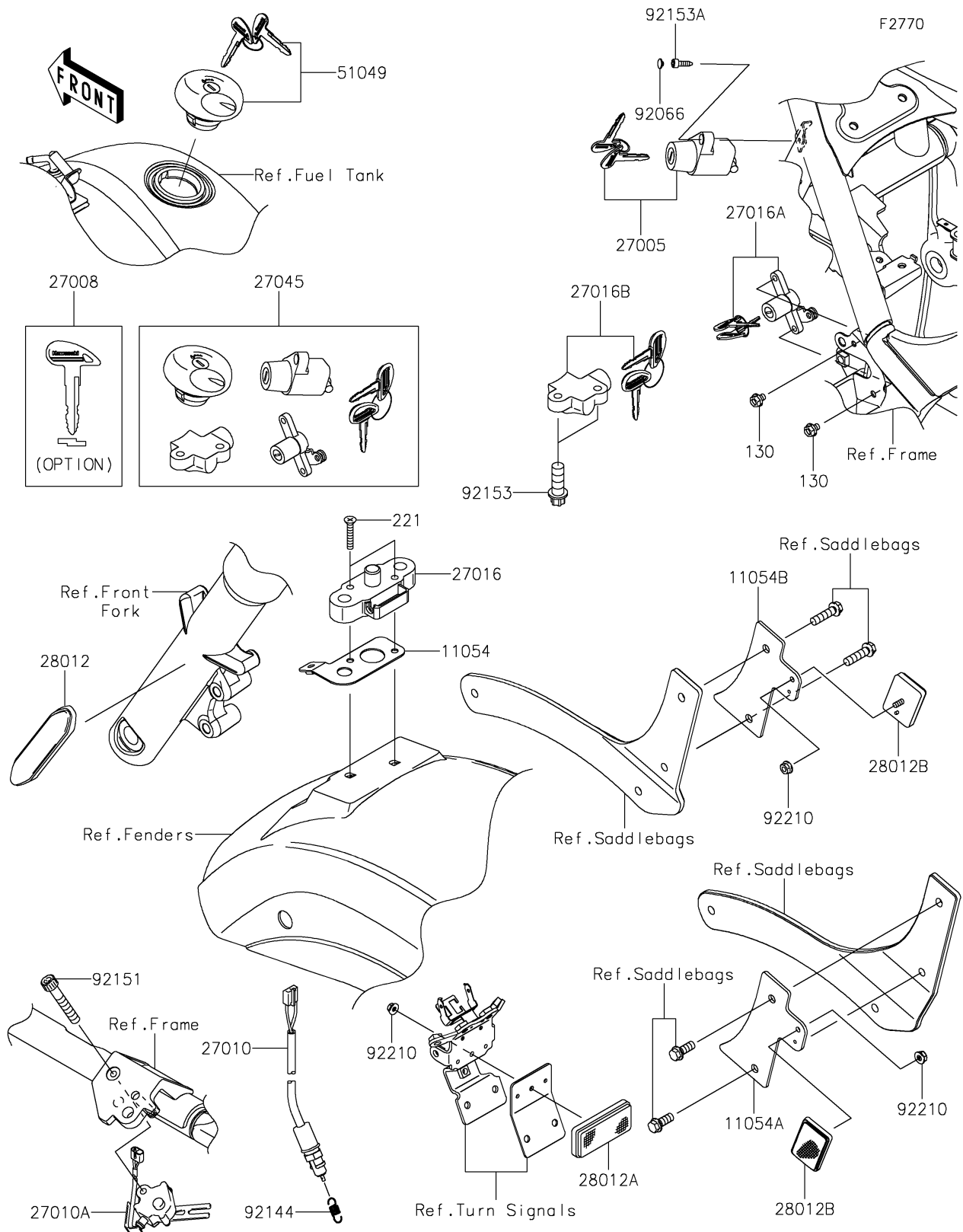


2019 VULCAN® 900 CLASSIC LT

PARTS DIAGRAM

Ignition Switch/Locks/Reflectors



2019 VULCAN® 900 CLASSIC LT

PARTS LIST

Ignition Switch/Locks/Reflectors

ITEM NAME	PART NUMBER	QUANTITY
-----------	-------------	----------
