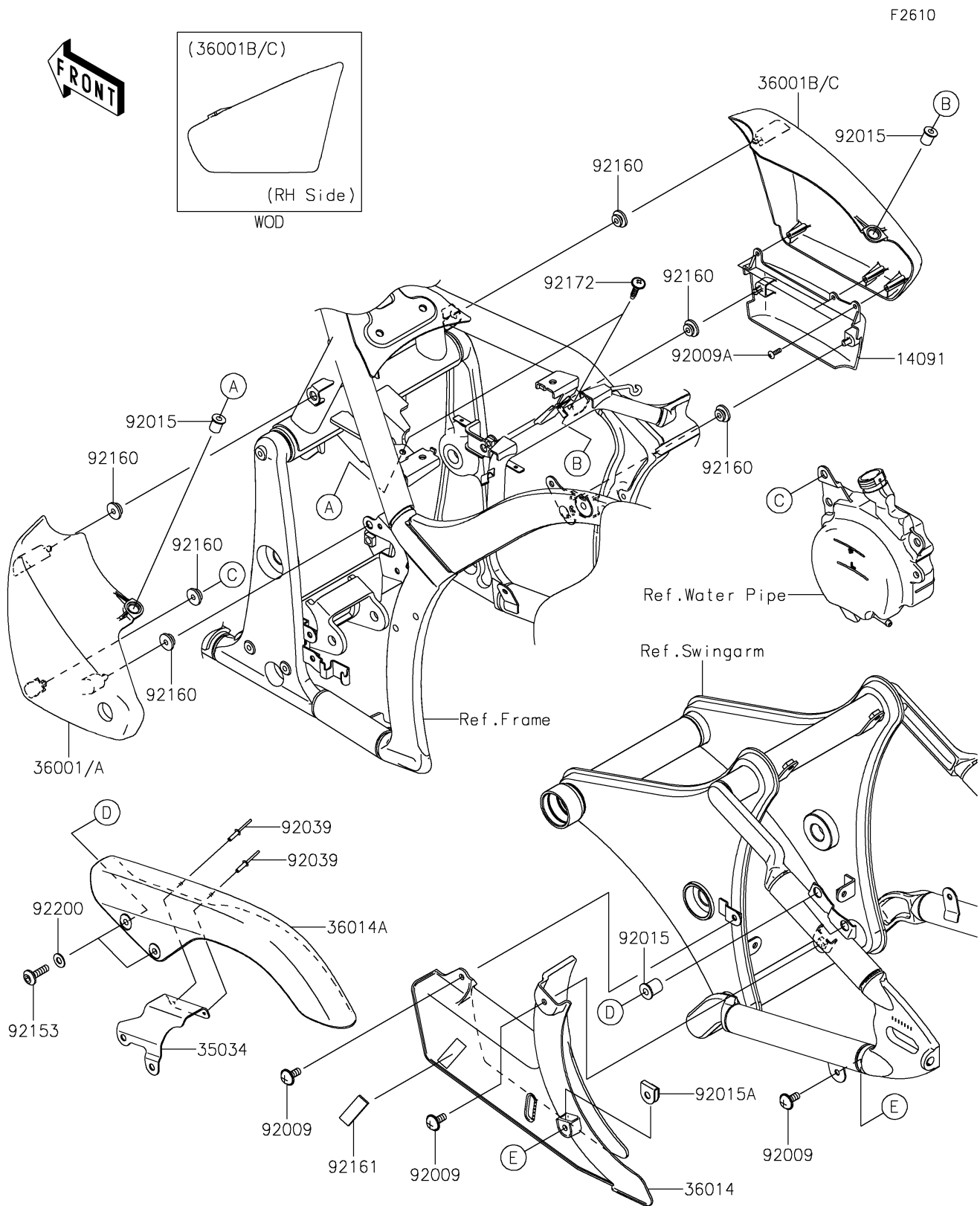


2018 VULCAN® 900 CLASSIC LT

PARTS DIAGRAM

Side Covers/Chain Cover



2018 VULCAN® 900 CLASSIC LT

PARTS LIST

Side Covers/Chain Cover

ITEM NAME	PART NUMBER	QUANTITY
-----------	-------------	----------
