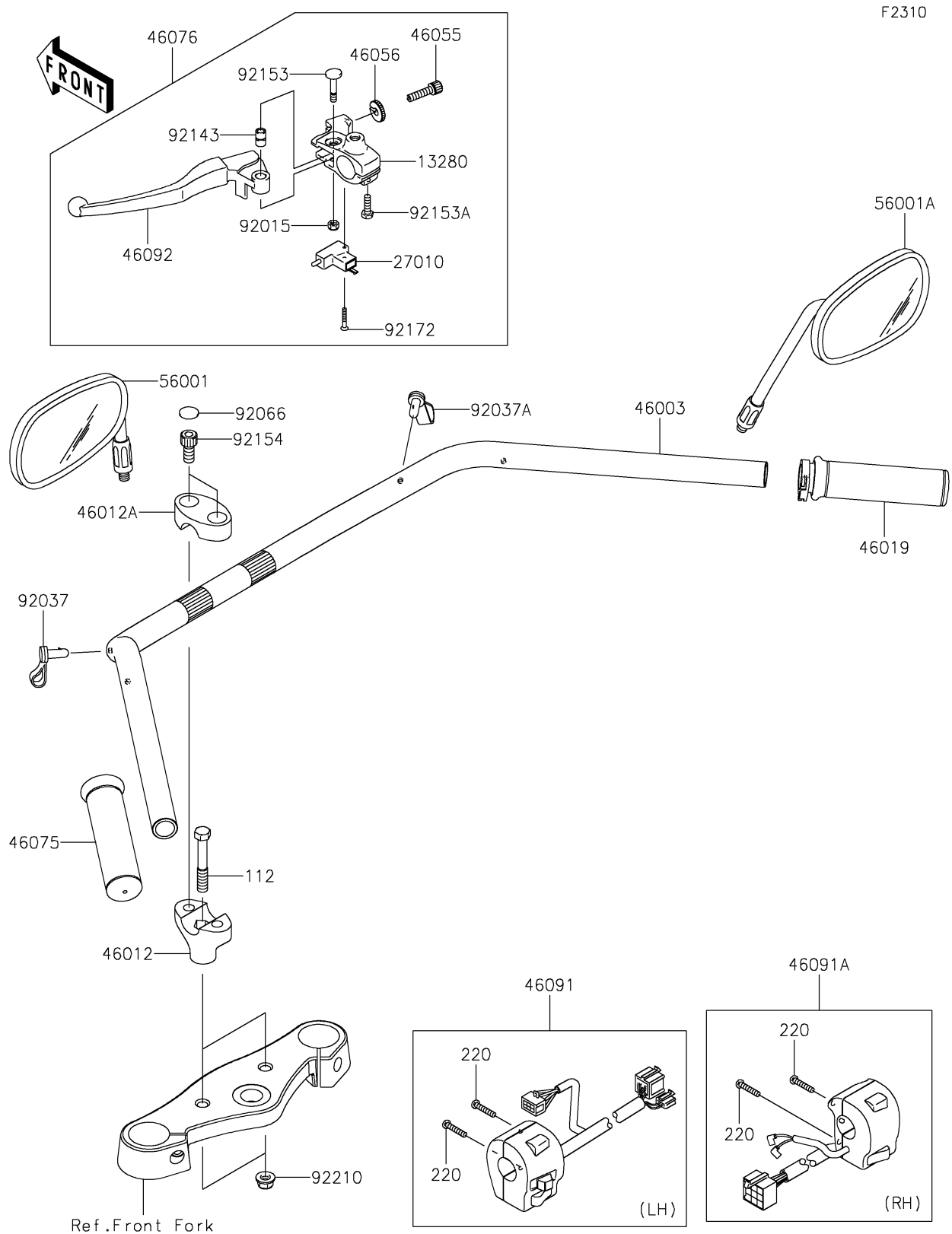


2019 VULCAN® 900 CLASSIC LT

PARTS DIAGRAM

Handlebar



2019 VULCAN® 900 CLASSIC LT

PARTS LIST

Handlebar

ITEM NAME	PART NUMBER	QUANTITY
-----------	-------------	----------
